

Spare Parts List

version 08/2011

GARUDAN®

FT7000serie



ANITA B s.r.o.

Hliníky 2068

680 01 Boskovice

Czech Republic

tel: +420 516 454 774,+420 516 453 496

fax: +420 516 452 751

e-mail: info@anita.cz

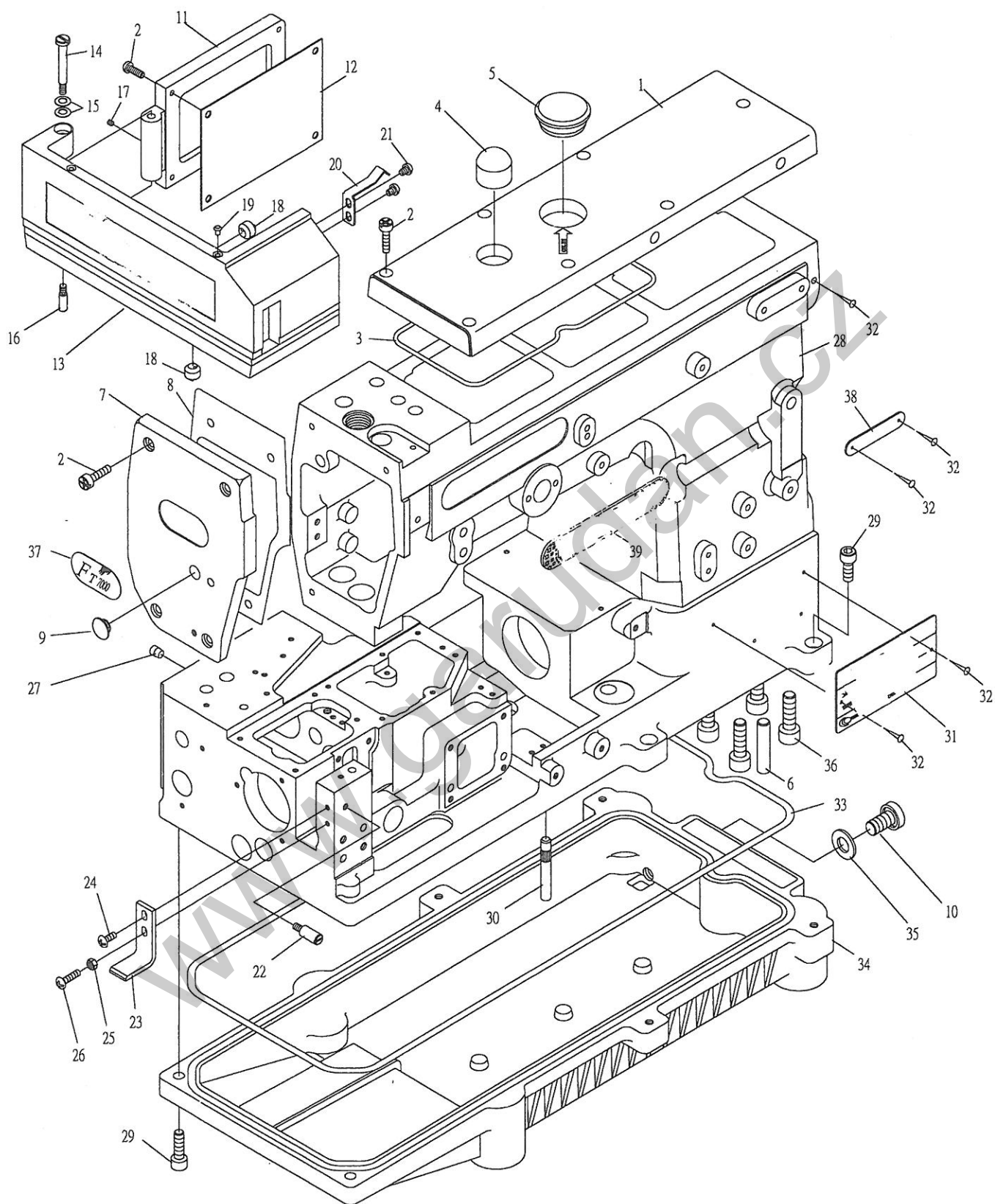
www.garudan.cz

目錄 TABLE OF CONTENTS

| 序號 | 名稱 Ref. No. Description | 頁次 Page. Number |
|----|--|--------------------|
| 1 | 本體外裝零件Frame Components (一) ----- | 2 |
| 2 | 本體外裝零件Frame Components (二) ----- | 4 |
| 3 | 導針與張力調整零件Thread Tension Mechanism (FT7000) ----- | 6 |
| 4 | 軸襯與油封Bushing And Oil Seal ----- | 8 |
| 5 | 下軸與相關零件Lower Main Shaft Components ----- | 10 |
| 6 | 上軸與相關零件Upper Main Shaft Components ----- | 12 |
| 7 | 針棒與相關零件Needle Bar Mechanism ----- | 14 |
| 8 | 壓腳與相關零件Presser Foot Mechanism ----- | 16 |
| 9 | 裝飾線驅動機構Spreader Mechanism (FT7000 Only) ----- | 18 |
| 10 | 結線鉤驅動機構Looper Mechanism ----- | 20 |
| 11 | 進給變換機構Feed Mechanism ----- | 22 |
| 12 | 導針與送布齒驅動機構Needle Guide And Feed Driving ----- | 24 |
| 13 | 潤滑系統Lubrication Mechanism ----- | 26 |
| 14 | 66707 線架Thread Stand 66707 ----- | 28 |
| 15 | 裝載附件Supporting Board ----- | 30 |
| 16 | 工具及附件Accesseries ----- | 32 |
| 17 | 車型定規列表Gauge Parts List ----- | 34 |

www.garudan.cz

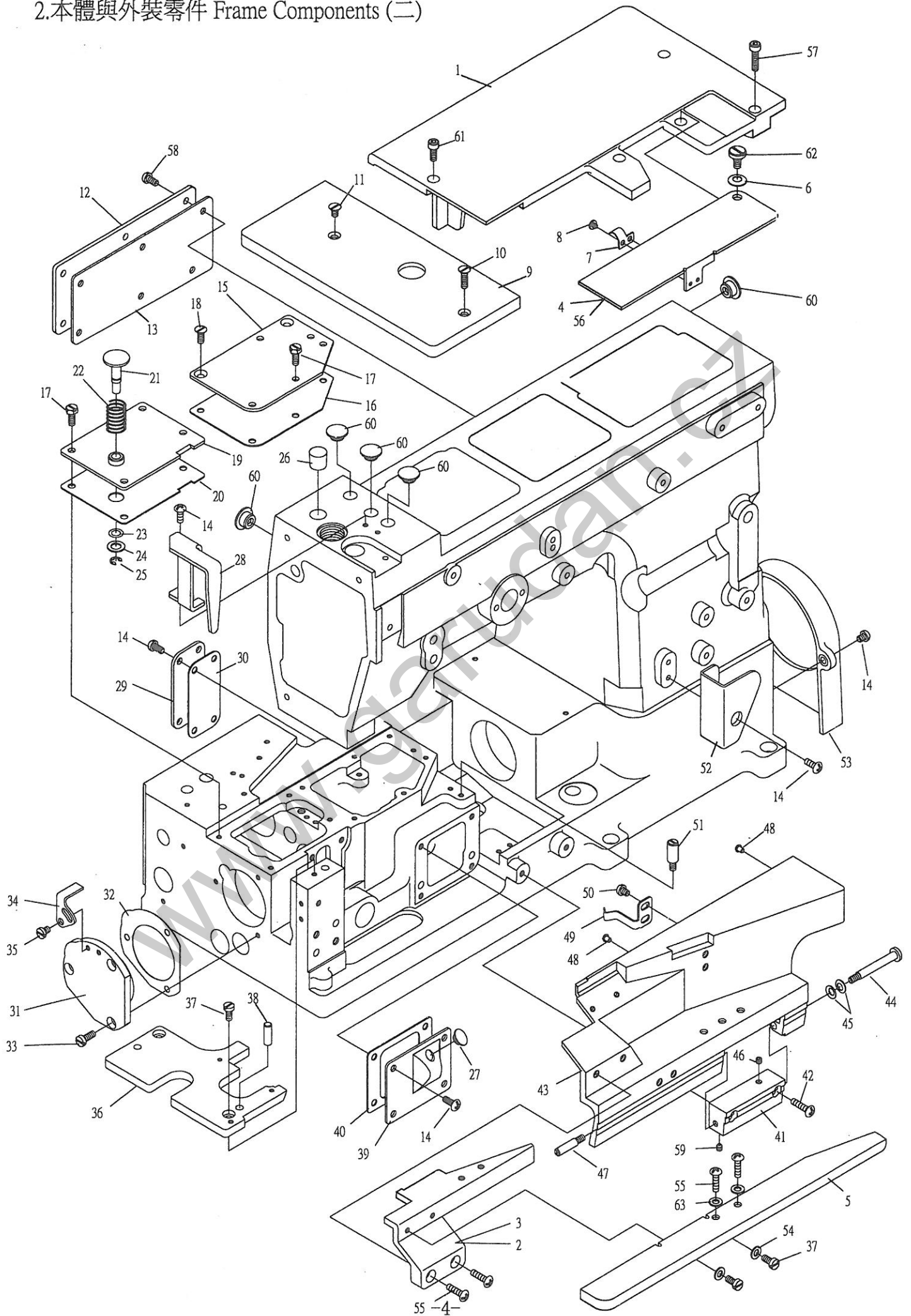
1.本體與外裝零件 Frame Components(一)



1.本體與外裝零件(一) Frame And Cover (一)

| 序號 | 物料編號 | 名稱 | 單位用量 |
|----------|--------------|------------------------------------|-----------|
| Ref. No. | Parts Number | Description | Amt. Req. |
| 1 | 2220000101 | 上軸蓋 Top Cover ----- | 1 |
| 2 | 8MC04281207D | 螺絲 Screw (CT0102 M4-0.7*12) ----- | 15 |
| 3 | 2200000103 | 油封 Gasket (CT0103) ----- | 1 |
| 4 | 2200000104 | 油鏡 Oil Window (CT0104) ----- | 1 |
| 5 | 22000001051 | 孔塞 Plug (CT01051)白色 ----- | 1 |
| 6 | 2200000139 | 定位銷 Knock Pin (CT0139) ----- | 2 |
| 7 | 2220000107 | 針棒蓋 Needle Cover ----- | 1 |
| 8 | 2220000108 | 油封 Gasket ----- | 1 |
| 9 | 22000001091 | 孔塞 Plug (CT01091) 白色 ----- | 1 |
| 10 | 8SM95281017A | 螺樁 Stud (SH0243 3/8"-28*10) ----- | 1 |
| 11 | 2210000111 | 封蓋 Oil Filter Cover ----- | 1 |
| 12 | 2210000112 | 油封 Gasket ----- | 1 |
| 13 | 2280000113 | 側蓋 Oil Filter Cover ----- | 1 |
| 14 | 8MB04283809E | 螺樁 Stud (CT0227 M4-0.7*38) ----- | 1 |
| 15 | 2200000228 | 盂形墊圈 Disk Washer (CT0228) ----- | 2 |
| 16 | 8MB04280605M | 螺樁 Stud (CT0230 M4-0.7*6) ----- | 1 |
| 17 | 8MN04280400A | 螺絲 Screw (CT0229 M4-0.7*4) ----- | 1 |
| 18 | 2210000118 | 減震橡膠 Rubber Cushion ----- | 2 |
| 19 | 2210000119 | 減震橡膠 Rubber Cushion ----- | 2 |
| 20 | 2210000120 | 夾簧 Latch Spring ----- | 1 |
| 21 | 8MC04280507D | 螺絲 Screw (CT0122 M4-0.7*8) ----- | 2 |
| 22 | 8MB04280707M | 螺樁 Stud (FT0122 M4-0.7*21) ----- | 1 |
| 23 | 2280000123 | 支架 Side Cover Holder ----- | 1 |
| 24 | 8MC04280807D | 螺絲 Screw (CT0130 M4-0.7*8) ----- | 1 |
| 25 | 8MA04280307A | 螺帽 Nut (CT0238 M4-0.7*3) ----- | 1 |
| 26 | 8MB04281607A | 螺絲 Screw (CT0724 M4-0.7*16) ----- | 1 |
| 27 | 2200000136 | 孔塞 Plug (CT0136) ----- | 1 |
| 28 | 2280000128 | 車頭 Frame Unit ----- | 1 |
| 29 | 8MM06402010A | 螺絲 Screw (SH0444 M6-1*20) ----- | 6 |
| 30 | 2210000130 | 下座腳樁 Supporting Bar ----- | 4 |
| 31 | 66485-2 | 車型銘板 Model Plate ----- | 1 |
| 32 | 66620 | 鉚釘 Rivet (6620) ----- | 5 |
| 33 | 2210000133 | 油封 Gasket ----- | 1 |
| 34 | 2210000134 | 油盤 Oil Reservoir ----- | 1 |
| 35 | 2100000244 | 油封 Seal (Sh0244) ----- | 1 |
| 36 | 8MM10603016A | 螺絲 Screw (CT0138 M10-1.5*30) ----- | 4 |
| 37 | 66485-3 | 針棒蓋銘板 Model Plate ----- | 1 |
| 38 | 66480-14 | 機器號碼牌 Machine No. Plate ----- | 1 |
| 39 | 66485-4 | 上車頭銘板 Model Plate ----- | 1 |

2.本體與外裝零件 Frame Components (二)



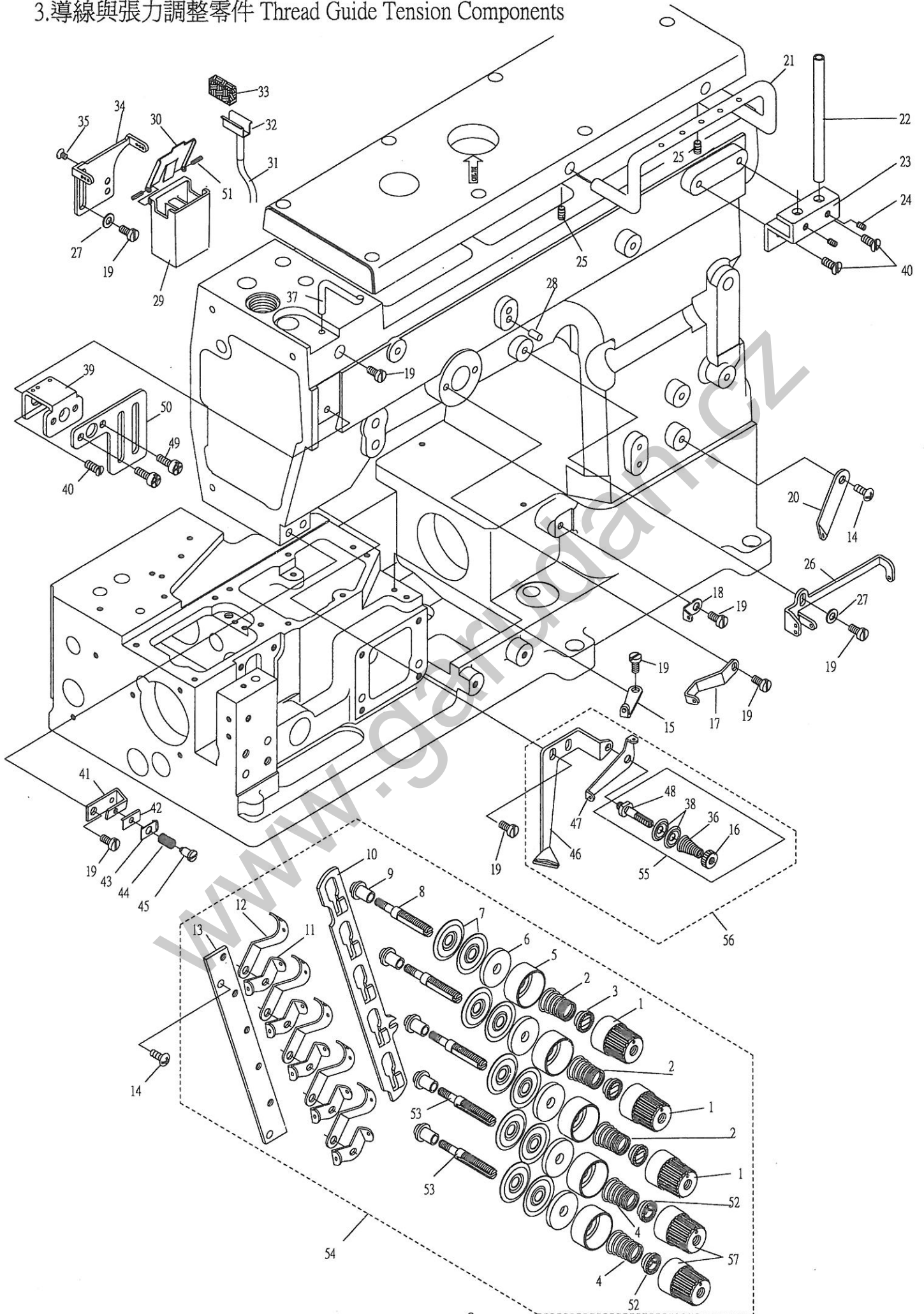
2.本體與外裝零件(二) Frame And Cover (二)

| 序號 | 物料編號 | 名稱 | 單位用量 |
|----------|--------------|---|----------|
| Ref. No. | Parts Number | Description | Amt.Req. |
| 1 | 2210000201 | 封蓋 Rear Cover ----- | 1 |
| *2 | 2280000202 | 下座前蓋活動塊 Movable Block ----- | 1 |
| **3 | 2280000203 | 下座前蓋活動塊 Movable Block ----- | 1 |
| *4 | 2210000204 | 護線蓋 Cloth Plate ----- | 1 |
| 5 | 2280000205 | 下座前蓋支架 Front Cove Holder ----- | 1 |
| 6 | 2200000124 | 孟形墊圈 Disk Washer (CT0124)----- | 1 |
| 7 | 2210000207 | 夾簧 Latch Spring ----- | 1 |
| 8 | 8MB03200306A | 螺絲 Screw (UTB0436 M3-0.5*2.5)----- | 2 |
| 9 | 2280000209 | 左布板 Cloth Plate ----- | 1 |
| 10 | 8ME04281408A | 螺絲 Screw (CT1140 M4-0.7*14)----- | 1 |
| 11 | 8ME04280708A | 螺絲 Screw (CT0206 M4-0.7*7)----- | 1 |
| 12 | 2200000210 | 封蓋 Rear Cover (CT0210)----- | 1 |
| 13 | 2200000209 | 油封 Gasket (CT0209)----- | 1 |
| 14 | 8MC04280807D | 螺絲 Screw (CT0130 M4-0.7*8)----- | 13 |
| 15 | 2210000215 | 封蓋 Oil Filter Cover ----- | 1 |
| 16 | 2210000216 | 油封 Gasket ----- | 1 |
| 17 | 8MK04281007A | 螺絲 Screw (FT0217 M4-0.7*10)----- | 9 |
| 18 | 8ME04281008A | 螺絲 Screw (FT0218 M4-0.7*10)----- | 2 |
| 19 | 2210000219 | 封蓋 Oil Filter Cover ----- | 1 |
| 20 | 2210000220 | 油封 Gasket ----- | 1 |
| 21 | 2210000221 | 止動銷 Stopper Pin ----- | 1 |
| 22 | 2210000222 | 彈簧 Spring ----- | 1 |
| 23 | 90OR060 | 油環 OIL Rin (P6)----- | 1 |
| 24 | 2200000910 | 墊圈 Washer (CT0910)----- | 1 |
| 25 | 90ER040 | E形扣環 E Ring ----- | 1 |
| 26 | 22000002081 | 孔塞 Plug (CT02081) 白色----- | 1 |
| 27 | 22100002271 | 孔塞 Plug (FT02271) 白色----- | 1 |
| 28 | 2200000212 | 針棒護蓋 Needle Bar Protector ----- | 1 |
| 29 | 2210000229 | 封蓋 Oil Filter Cover ----- | 1 |
| 30 | 2210000230 | 油封 Gasket ----- | 1 |
| 31 | 2210000231 | 軸承座 Crankshaft Bushing ----- | 1 |
| 32 | 2210000232 | 油封 Gasket ----- | 1 |
| 33 | 8MB04281007K | 螺絲 Screw (CT1237 M4-0.7*10)----- | 3 |
| 34 | 2210000234 | 止動鉤 Pushbutton Stop ----- | 1 |
| 35 | 8MB04280507K | 螺絲 Screw (FT0235 M4-0.7*5)----- | 2 |
| 36 | 2210000236 | 針板座 Needle Plate Seat ----- | 1 |
| 37 | 8MB04280807K | 螺絲 Screw (CT0215 M4-0.7*8)----- | 4 |
| 38 | 2210000238 | 定位銷 Knock Pin ----- | 2 |
| 39 | 2210000239 | 封蓋 Oil Filter Cover ----- | 1 |
| 40 | 2210000240 | 油封 Gasket ----- | 1 |
| 41 | 2280000241 | 絞鏈 Hinge ----- | 1 |
| 42 | 8MC04281407D | 螺絲 Screw (CT0225 M4-0.7*14)----- | 2 |
| 43 | 2280000243 | 下座前蓋 Front Cover ----- | 1 |
| 44 | 8MB04284209E | 螺樁 Stand (FT0244 M4-0.7*42)----- | 1 |
| 45 | 2200000228 | 孟形墊圈 Disk Washer (CT0228)----- | 2 |
| 46 | 8MN04280400A | 螺絲 Screw (CT0229 M4-0.7*4)----- | 1 |
| 47 | 8MB04280705M | 螺樁 Stand (FT0247 M4-0.7*7)----- | 1 |
| 48 | 2210000119 | 減震橡膠 Rubber Cushion ----- | 2 |
| 49 | 2210000249 | 夾簧 Latch Spring ----- | 1 |
| 50 | 8MC04280507D | 螺絲 Screw (CT0122 M4-0.7*5)----- | 2 |
| 51 | 8MB04280707M | 螺樁 Stand (FT0122 M4-0.7*7)----- | 1 |
| 52 | 2220000243 | 底線護蓋 Thread Protect Plate (CT0243)----- | 1 |
| 53 | 2210000253 | 冷卻風扇護蓋 Oil Cooling Fan Guard ----- | 1 |
| 54 | 2100000223 | 墊圈 Washer ----- | 2 |
| 55 | 8MC05321209D | 螺絲Screw (F02 55 M5 0.8*12) | 4 |
| **56 | 2210000256 | 護線蓋 Cloth Plate ----- | 1 |
| 57 | 8MM04281607A | 螺絲 Screw (FT0202 M4-0.7*16)----- | 3 |
| 58 | 8MC04281007D | 螺絲 Screw (CT0113 M4-0.7*10)----- | 6 |
| 59 | 8MN04280600C | 螺絲 Screw (CT1104 M4*6)----- | 1 |
| 60 | 22000001091 | 孔塞 Plug (CT01091)----- | 5 |
| 61 | 8MM04281007A | 螺絲 Screw(FT0203 M4-0.7*10)----- | 1 |
| 62 | 8MB95301011G | 螺樁 Stud (FT0205 M4.5-0.75*10)----- | 1 |
| 63 | 2200001025 | 墊圈 Washer ----- | 2 |

*: 40M,48M,56M 用For 40M,48M,56M

** : 64M 用For 64M

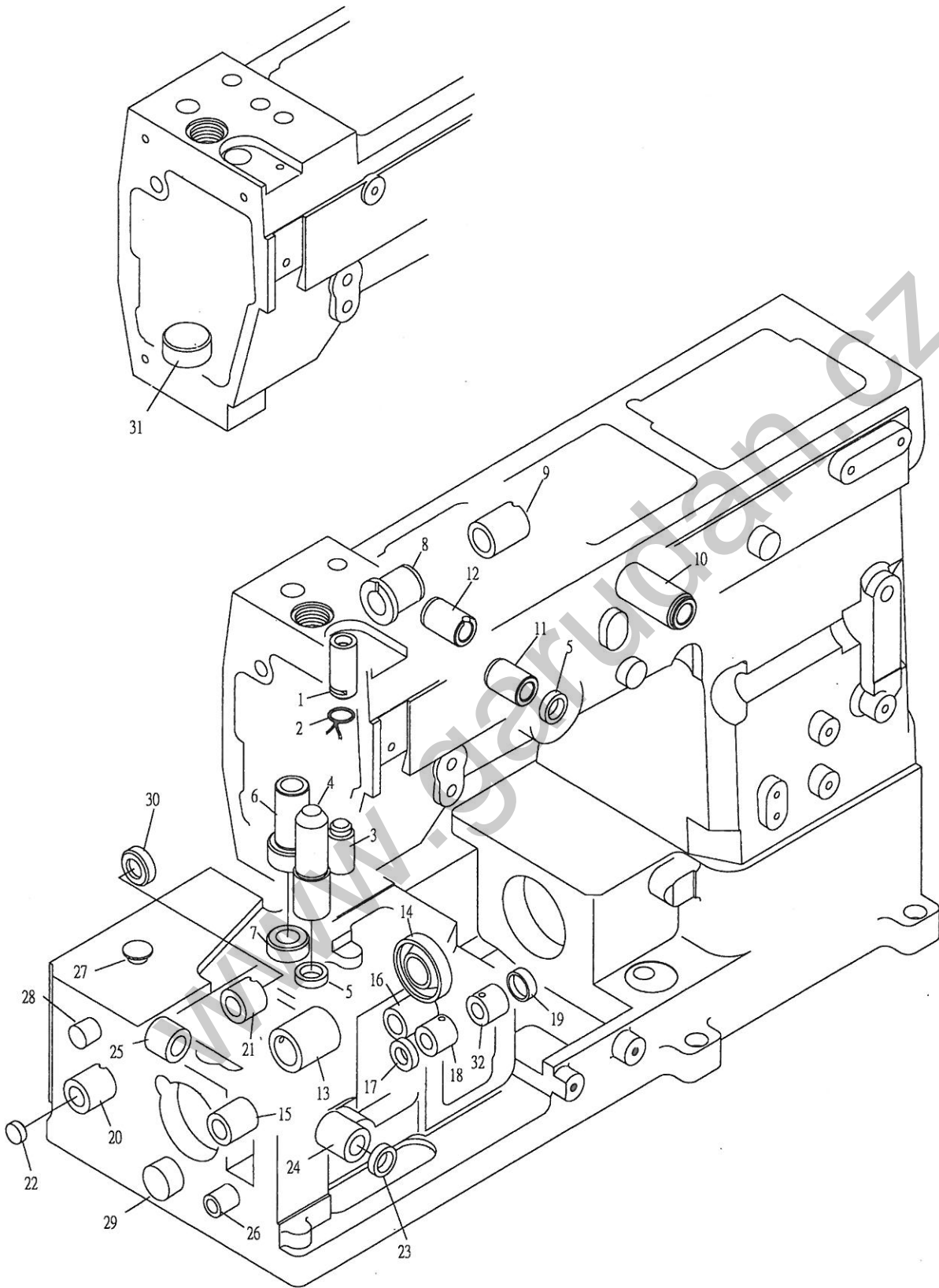
3. 導線與張力調整零件 Thread Guide Tension Components



3.導針與張力調整零件(FT7000用) Thread Guide And Tension Components (For FT7000)

| 序號 | 物料編號 | 名稱 | 單位用量 |
|----------|--------------|---|-----------|
| Ref. No. | Parts Number | Description | Amt. Req. |
| 1 | 2100001121 | 張力調整螺帽 Tension Nut (Red) (SH1121)----- | 3 |
| 2 | 2100001123 | 彈簧 Spring (Red) (SH1123)----- | 3 |
| 3 | 2200000303 | 套管 Bushing (CT0303)----- | 3 |
| 4 | 2100001131 | 彈簧 Spring (Yellow) (SH1131)----- | 2 |
| 5 | 2200000305 | 彈簧座 Spring Seat (CT0305)----- | 5 |
| 6 | 2100001127 | 羊毛氈 Felt (SH1127)----- | 5 |
| 7 | 2100001126 | 張力控制盤 Tension Disc (SH1126)----- | 10 |
| 8 | 22000003081 | 螺樁 Stud (CT0308) | 3 |
| 9 | 22000003091 | 隔環 Spacer (CT0309) | 5 |
| 10 | 2220000310 | 鬆線滑板 Release Wedge ----- | 1 |
| 11 | 2200000311 | 導線 Thread Guide (CT0311)----- | 5 |
| 12 | 2200000312 | 導線 Thread Guide (CT0312)----- | 5 |
| 13 | 2220000313 | 張力控制組座 Tension Post Support ----- | 1 |
| 14 | 8MC04280807D | 螺絲 Screw (CT0130 M4-0.7*8)----- | 3 |
| 15 | 2210000315 | 導線 Thread Guide ----- | 1 |
| 16 | 2200000357 | 螺帽 Nut (CT0357)----- | 1 |
| 17 | 2210000317 | 導線 Thread Guide ----- | 1 |
| 18 | 2210000318 | 導線 Thread Guide ----- | 1 |
| 19 | 8MB04280807K | 螺絲 Screw (CT0215 M4-0.7*8)----- | 9 |
| 20 | 2200000317 | 導線 Thread Guide (CT0317)----- | 1 |
| 21 | 2220000331 | 導線桿 Thread Guide ----- | 1 |
| 22 | 2200000327 | 導線管 Thread Guide Pipe ----- | 2 |
| 23 | 2220000328 | 導線座 Thread Guide Holder----- | 1 |
| 24 | 8MN03200500A | 螺絲 Screw (STB0116 M3-0.5*5)----- | 2 |
| 25 | 8MN04280600A | 螺絲 Screw (CT1223 M4-0.7*6)----- | 2 |
| 26 | 2210000326 | 導線 Thread Guide ----- | 1 |
| 27 | 2100000223 | 墊圈 Washer W3----- | 2 |
| 28 | 90ST0410 | 定位銷 Knock Pin ----- | 1 |
| 29 | 2200000335 | 油杯 Cooler Oil Tank (CT0335)----- | 1 |
| 30 | 2200000336 | 油杯蓋 Cooler Oil Tank Cover (CT0336)----- | 1 |
| 31 | 66800 | 油線 Oil Wick ----- | 1 |
| 32 | 2200000338 | 線夾 Wick Clamp (CT0338)----- | 1 |
| 33 | 2200000339 | 羊毛氈 Felt (CT0339)----- | 1 |
| 34 | 2200000340 | 導線 Thread Guide (CT0340)----- | 1 |
| 35 | 8ME03200506A | 螺絲 Screw (CT0341 M3-0.5*4.5)----- | 2 |
| 36 | 2200000356 | 彈簧 Spring (CT0356)----- | 1 |
| 37 | 2200000343 | 導線 Thread Guide (CT0343)----- | 1 |
| 38 | 2200000355 | 張力控制盤 Tension Disc (CT0355)----- | 2 |
| 39 | 2200000345 | 導線 Thread Guide (CT0345)----- | 1 |
| 40 | 8ME04280708A | 螺絲 Screw (CT0206 M4-0.7*7)----- | 3 |
| 41 | 2200000347 | 張力控制組座 Thread Retainer Support (CT0347)----- | 1 |
| 42 | 2200000348 | 針線控制板 Thread Guide Plate (CT0348)----- | 1 |
| 43 | 2200000349 | 針線控制壓板 Tension Control plate (CT0349)----- | 1 |
| 44 | 22000003501 | 彈簧 Spring (CT0350)----- | 1 |
| 45 | 8MC03200807G | 螺樁 Stud (CT0351 M3-0.5*8)----- | 1 |
| 46 | 2210000346 | 導線 Thread Guide ----- | 1 |
| 47 | 2200000353 | 導線 Thread Guide (CT0353)----- | 1 |
| 48 | 2200000354 | 螺樁 Stud (CT0354)----- | 1 |
| 49 | 8MC04280507D | 螺絲 Screw (CT0122 M4-0.7*5)----- | 2 |
| 50 | 2200000359 | 揚線臂護線罩 Takeup Arm Protect (Ct0359)----- | 1 |
| 51 | 90SP0206 | 彈簧銷 Spring Pin (CT0360)----- | 2 |
| 52 | 2100001122 | 套管 Bushing (SH1122)----- | 2 |
| 53 | 22000003611 | 螺樁 Stud (CT0361) | 2 |
| 54 | 222A0000370 | 鬆線組 Thread Tension Mechanism Asm.----- | 1 |
| 55 | 227A0000342 | 張力控制組 Thread Retainer Asm ----- | 1 |
| 56 | 221A0000356 | 鬆線組 Thread Tension Mechanism Asm. (F0346A)----- | 1 |
| 57 | 2100001121A | 張力調整螺帽 Tension Nut (Yellow) (Sh1121)----- | 2 |

4. 軸襯與油封 Bushing And Seal



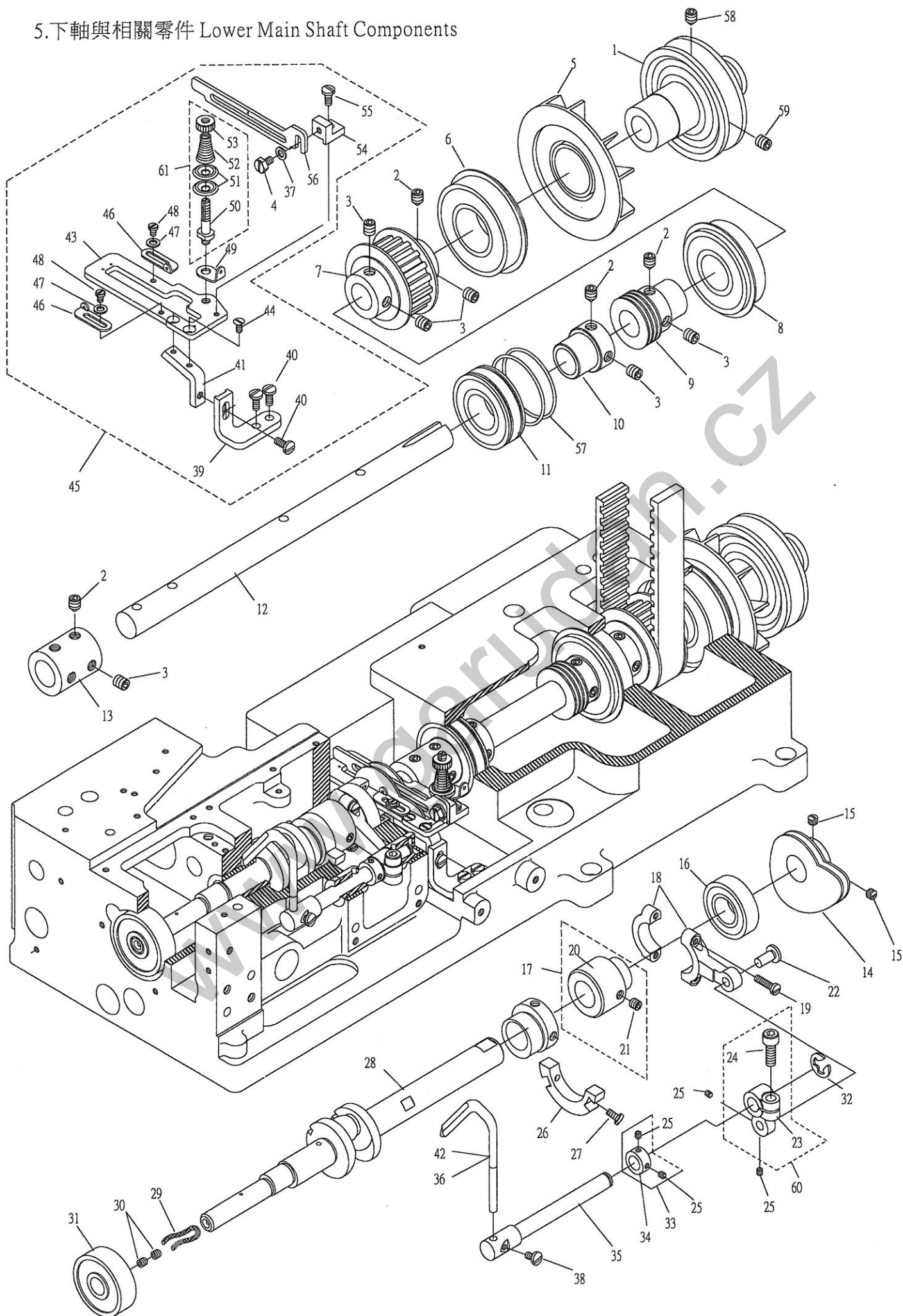
4.軸襯與油封 Bushing And Seal

| 序號 | 物料編號 | 名稱 | 單位用量 |
|----------|--------------|---------------------------|----------|
| Ref. No. | Parts Number | Description | Amt.Req. |
| 1 | 2210000401 | 軸襯 Bushing ----- | 1 |
| 2 | 66800 | 油線 Oil Wick ----- | 1 |
| 3 | 2210000403 | 軸襯 Bushing ----- | 1 |
| 4 | 2210000404 | 軸襯 Bushing ----- | 1 |
| 5 | 2200000404 | 油封 Oil Seal (CT0404)----- | 2 |
| *6 | 2220000405 | 軸襯 Bushing ----- | 1 |
| *7 | 2200000406 | 油封 Oil Seal (CT0406)----- | 1 |
| *8 | 2210000408 | 軸襯 Bushing ----- | 1 |
| *9 | 2200000408 | 軸襯 Bushing (CT0408)----- | 1 |
| 10 | 2200000409 | 軸襯 Bushing (CT0409)----- | 1 |
| 11 | 2200000410 | 軸襯 Bushing (CT0410)----- | 1 |
| 12 | 2200000411 | 軸襯 Bushing (CT0411)----- | 1 |
| 13 | 2210000413 | 軸襯 Bushing ----- | 1 |
| 14 | 2210000414 | 油封 Oil Seal ----- | 1 |
| 15 | 2210000415 | 軸襯 Bushing ----- | 1 |
| 16 | 2210000416 | 軸襯 Bushing ----- | 1 |
| 17 | 2210000417 | 油封 Oil Seal ----- | 1 |
| 18 | 2210000418 | 軸襯 Bushing (Left) ----- | 1 |
| 19 | 2210000419 | 孔塞 Plug ----- | 1 |
| 20 | 2210000420 | 軸襯 Bushing ----- | 1 |
| 21 | 2210000421 | 軸襯 Bushing ----- | 1 |
| 22 | 2210000422 | 孔塞 Plug ----- | 1 |
| 23 | 2210000423 | 油封 Oil Seal ----- | 1 |
| 24 | 2210000424 | 軸襯 Bushing ----- | 1 |
| 25 | 2210000425 | 軸襯 Bushing ----- | 1 |
| 26 | 2210000426 | 軸襯 Bushing ----- | 1 |
| 27 | 22000001091 | 孔塞 Plug (CT01091) 白色----- | 1 |
| 28 | 22000002081 | 孔塞 Plug (CT02081) 白色----- | 1 |
| 29 | 2210000429 | 孔塞 Plug ----- | 1 |
| 30 | 2210000430 | 孔塞 Plug ----- | 1 |
| **31 | 2200000422 | 孔塞 Plug (CT0422)----- | 1 |
| 32 | 2210000432 | 軸襯 Bushing (Right) ----- | 1 |

*具有上飾線With top cover thread

**不具有上飾線Without top cover thread

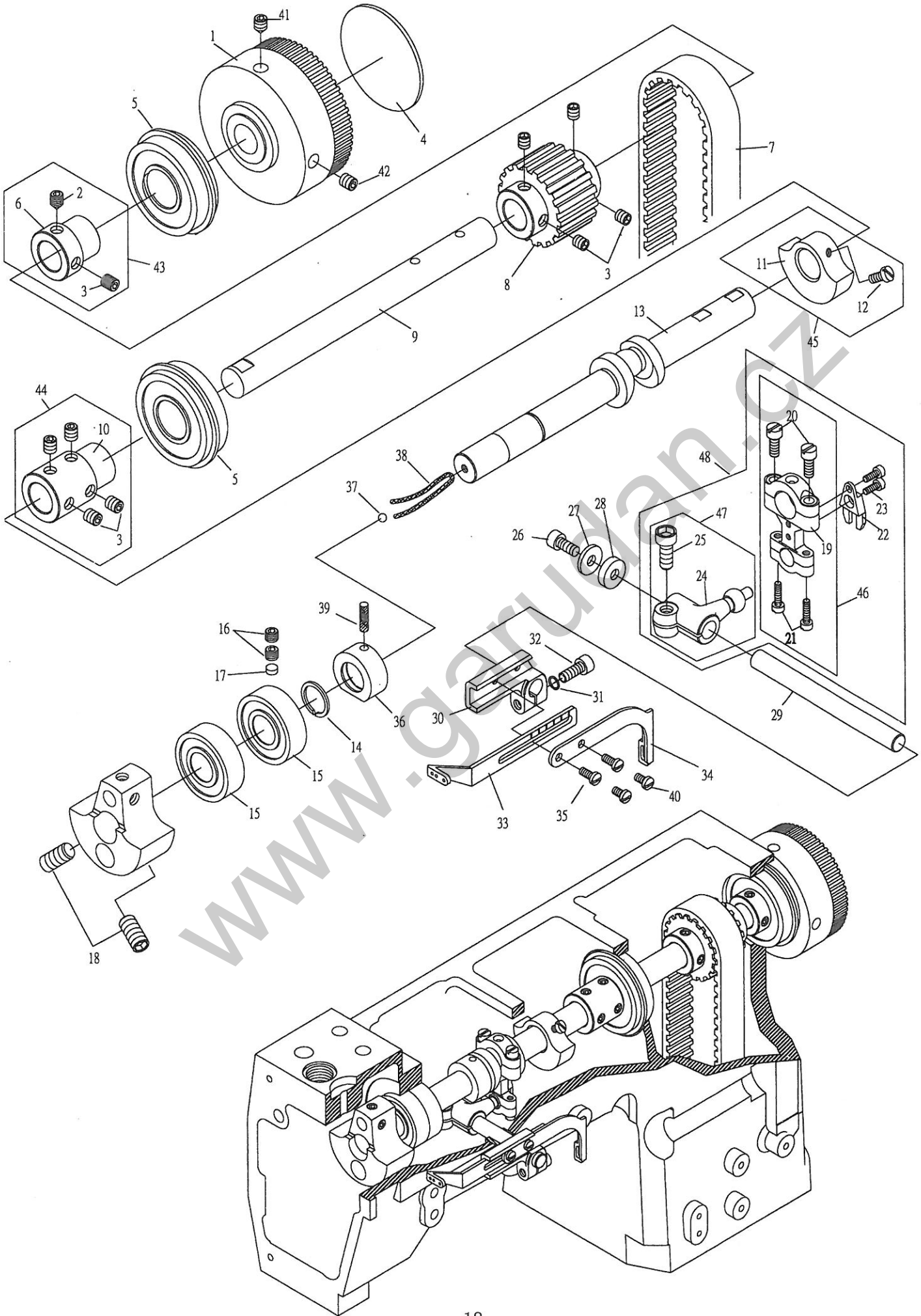
5. 下軸與相關零件 Lower Main Shaft Components



5. 下軸與相關零件 Lower Main Shaft Components

| 序號 | 物料編號 | 名稱 | 單位用量 |
|----------|--------------|-------------------------------------|-----------|
| Ref. No. | Parts Number | Description | Amt. Req. |
| 1 | 2210000501 | 皮帶輪 Belt Pully ----- | 1 |
| 2 | 8MN06400800C | 螺絲 Screw (C0502 M6-1*8) ----- | 5 |
| 3 | 8MN06400600A | 螺絲 Screw (C0244 M6-1*6) ----- | 7 |
| 4 | 8MK85240607A | 螺絲 Screw (FT0504 M3.5-0.6*6) ----- | 1 |
| 5 | 2210000505 | 冷卻風扇 Oil Cooling Fan ----- | 1 |
| 6 | 90BB2552154 | 滾珠軸承 Ball Bearing (CT0504) ----- | 1 |
| 7 | 2200000505 | 齒形皮帶輪 Timeing Pulley (CT0505) ----- | 1 |
| 8 | 90BB2047144 | 滾珠軸承 Ball Bearing (CT0506) ----- | 1 |
| 9 | 2210000509 | 蝸桿 Worm ----- | 1 |
| 10 | 2200000606 | 套管 Bushing (CT0606)----- | 1 |
| 11 | 90BB2042126 | 滾珠軸承 Ball Bearing ----- | 1 |
| 12 | 2210000512 | 軸 Shaft ----- | 1 |
| 13 | 2210000513 | 連軸器 Shaft Joint ----- | 1 |
| 14 | 2210000514 | 揚線凸輪 Looper Thread Takeup Cam ----- | 1 |
| 15 | 8MH05320400A | 螺絲 Screw (C0523 M5-0.8*4)----- | 2 |
| 16 | 90BB153209 | 滾珠軸承 Ball Bearing ----- | 1 |
| 17 | 221A0000562 | 偏心輪組 Eccentric Asm. (F0520A) ----- | 1 |
| 18 | 2210000518 | 連桿 Connecting Rod ----- | 1 |
| 19 | 8MB85241306K | 螺絲 Screw (FT0519 M3.5-0.6*13) ----- | 2 |
| 20 | 2210000520 | 偏心輪 Eccentric ----- | 1 |
| 21 | 8MN05320500E | 螺絲 Screw (C0903 M5-0.8*5) ----- | 2 |
| 22 | 2210000522 | 連結銷 Connecting Pin ----- | 1 |
| 23 | 2210000523 | 曲柄 Lever ----- | 1 |
| 24 | 8MM05321209A | 螺絲 Screw (F0524 M5-0.8*12) ----- | 1 |
| 25 | 8MN03200300A | 螺絲 Screw (C0115 M3-0.5*3) ----- | 4 |
| 26 | 2210000526 | 配重環 Counterweight ----- | 1 |
| 27 | 8MB03200606K | 螺絲 Screw (C1207 M3-0.5*6) ----- | 2 |
| 28 | 2210000528 | 曲軸 Crank Shaft ----- | 1 |
| 29 | 66800 | 油線 Oil Wick ----- | 2 |
| 30 | 8MN04280400A | 螺絲 Screw (C0229 M4-0.7*4) ----- | 2 |
| 31 | 90BB103511 | 滾珠軸承 Ball Bearing ----- | 1 |
| 32 | 90ER060 | E形扣環 E Ring ----- | 1 |
| 33 | 221A0000563 | 定位環組 Collar Asm. (F0534A)----- | 1 |
| 34 | 2210000534 | 定位環 Collar ----- | 1 |
| 35 | 2210000535 | 後導針器驅動軸 Driving Shaft ----- | 1 |
| 36 | 5221NG00560 | 後導針器 Needle Guide ----- | 1 |
| 37 | 2100000223 | 墊圈 Washer (W3) ----- | 1 |
| 38 | 8MB85240407A | 螺絲 Screw (FT0538 M3.5-0.6*5) ----- | 1 |
| 39 | 2210000539 | 支架 Support ----- | 1 |
| 40 | 8MB04280807K | 螺絲 Screw (C0215 M4-0.7*8) ----- | 3 |
| 41 | 2210000541 | 承扳支臂 Support ----- | 1 |
| 42 | 5221NG00562 | 後導針器 Needle Guide (NGF00D2) ----- | 1 |
| 43 | 2210000543 | 導線承板 Thread Guide Seat ----- | 1 |
| 44 | 8ME03200606A | 螺絲 Screw (C0235 M3-0.5*6) ----- | 2 |
| 45 | 221A0000545 | 導線組 Thread Guide Asm. (F0539A)----- | 1 |
| 46 | 2210000546 | 導線 Thread Guide ----- | 2 |
| 47 | 2210000547 | 墊圈 Washer ----- | 2 |
| 48 | 8MB03200405A | 螺絲 Screw (F0548 M3-0.5*4) ----- | 2 |
| 49 | 2210000318 | 導線 Thread Guide ----- | 1 |
| 50 | 2200000354 | 螺椿 Stud (Ct0354)----- | 1 |
| 51 | 2200000355 | 張力控制盤 Tension Disc (CT0355) ----- | 2 |
| 52 | 2200000356 | 錐形彈簧 Spring (CT0356) ----- | 1 |
| 53 | 2200000357 | 螺帽 Nut (CT0357) ----- | 1 |
| 54 | 2210000554 | 支架 Support ----- | 1 |
| 55 | 8MB85240807K | 螺絲 Screw (F0555 M3.5-0.6*8) ----- | 1 |
| 56 | 2210000556 | 導線 Thread Guide ----- | 1 |
| 57 | 2200000547 | O形油環 O Ring (CT0547) ----- | 2 |
| 58 | 8MN06401100C | 螺絲 Screw (C0548 M6-1*11) ----- | 1 |
| 59 | 8MN06400800A | 螺絲 Screw (C0549 M6-1*8) ----- | 1 |
| 60 | 221A0000560 | 曲柄組 Collar Asm.(F0523A)----- | 1 |
| 61 | 227A0000342 | 張力控制組 Thread Retainer Asm ----- | 1 |

6. 上軸與相關零件 Upper Main Shaft Components



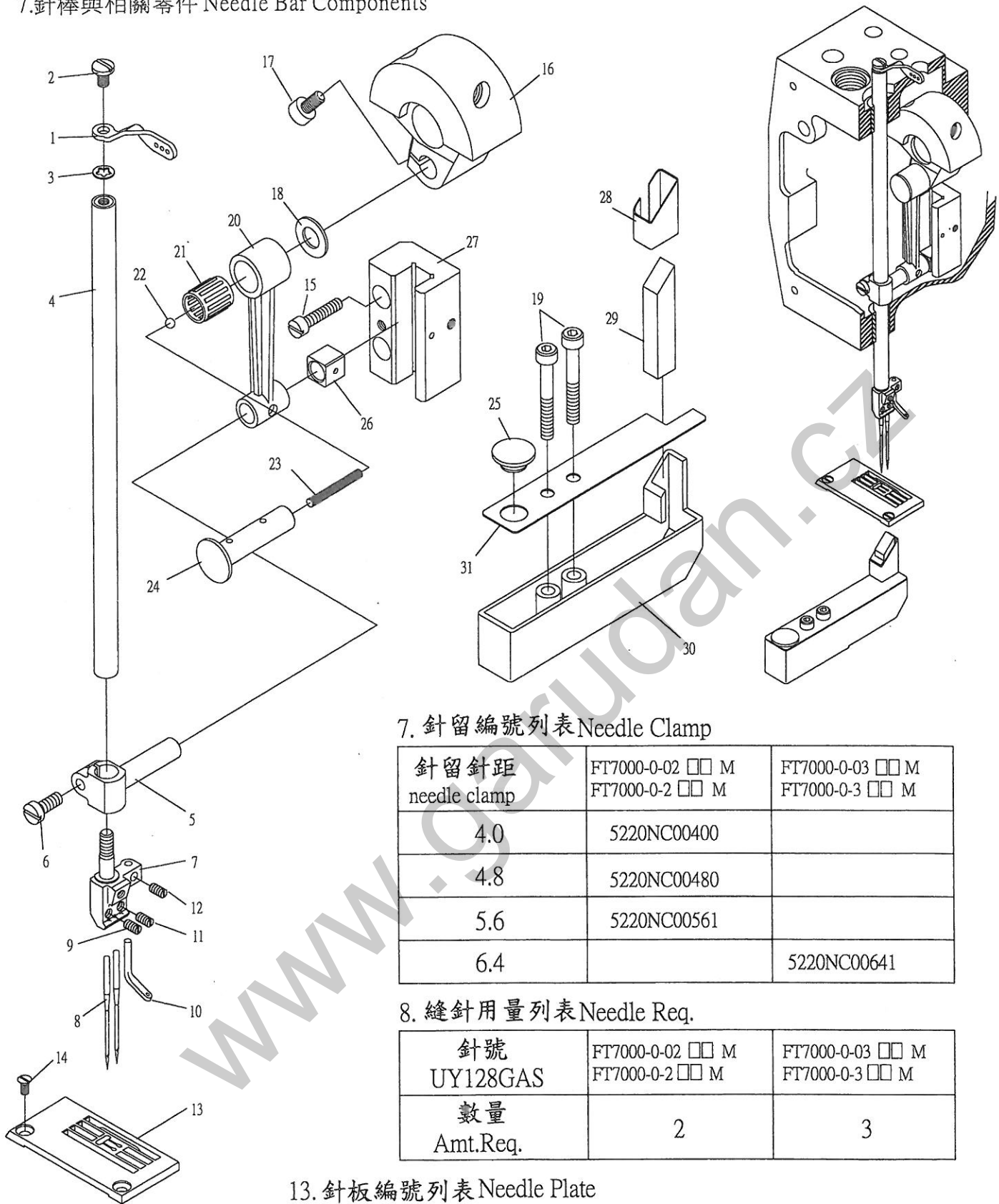
6.上軸與相關零件 Upper Main Shaft Components

| 序號 | 物料編號 | 名稱 | 單位用量 |
|----------|--------------|-------------------------------------|-----------|
| Ref. No. | Parts Number | Description | Amt. Req. |
| 1 | 2210000601 | 手輪 Handwheel ----- | 1 |
| 2 | 8MN06400800C | 螺絲 Screw (C0502 M6-1*8) ----- | 1 |
| 3 | 8MN06400600A | 螺絲 Screw (CT0244 M6-1*6) ----- | 9 |
| 4 | 2200000604 | 軸端封蓋 Cover (CT0604) ----- | 1 |
| 5 | 90BB2047144 | 滾珠軸承 Ball Bearing (CT0506) ----- | 2 |
| 6 | 2200000606 | 套管接頭 Joint (CT0606) ----- | 1 |
| 7 | 2200000607 | 齒形皮帶 Timeing Belt (CT0607) ----- | 1 |
| 8 | 2200000608 | 齒形皮帶輪 Timeing Pulley (CT0608) ----- | 1 |
| 9 | 2200000609 | 軸 Shaft (CT0609) ----- | 1 |
| 10 | 2200000610 | 套管接頭 Joint (CT0610) ----- | 1 |
| 11 | 2200000509 | 平衡錘 Balance Weight (CT0509) ----- | 1 |
| 12 | 8MB04280807K | 螺絲 Screw (C0215 M4-0.7*8) ----- | 2 |
| 13 | 2210000613 | 曲軸 Crank Shaft ----- | 1 |
| 14 | 90SCR150 | C形軸用扣環 C Ring (CT0614) ----- | 1 |
| 15 | 90BB1535115 | 滾珠軸承 Ball Bearing (CT0615) ----- | 2 |
| 16 | 8MN06400500A | 螺絲 Screw (C0513 M6-1*5) ----- | 2 |
| 17 | 2200000617 | 墊片 Rubber Seat (CT0617) ----- | 1 |
| 18 | 8MN08401600E | 螺絲 Screw (C0618 M8-1*16) ----- | 2 |
| 19 | 2200000619 | 連桿 Connecting Rod (CT0619) ----- | 1 |
| 20 | 8MB95301407K | 螺絲 Screw (C0620 M4.5-0.75*14) ----- | 2 |
| 21 | 8MB85241006K | 螺絲 Screw (C0621 M3.5-0.6*10) ----- | 2 |
| 22 | 2200000622 | 定向導軌 Orient Guide (CT0622) ----- | 1 |
| 23 | 8MB03200806K | 螺絲 Screw (C0623 M3-0.5*8) ----- | 2 |
| 24 | 2200000624 | 曲柄 Ball Lever (CT0624) ----- | 1 |
| 25 | 8MM06401610A | 螺絲 Screw (C0625 M6-1*16) ----- | 1 |
| 26 | 8MM05321009A | 螺絲 Screw (C0626 M5-0.8*10) ----- | 1 |
| 27 | 2200000627 | 墊圈 Washer (CT0627) ----- | 1 |
| 28 | 2200000628 | 隔環 Spacer (CT0628) ----- | 1 |
| 29 | 2200000629 | 軸 Shaft (CT0629) ----- | 1 |
| 30 | 2200000630 | 承座 Bracket (CT0630) ----- | 1 |
| 31 | 90SW050 | 彈簧墊圈 Spring Washer (CT0631) ----- | 1 |
| 32 | 8MM05321409A | 螺絲 Screw (C0632 M5-0.8*14) ----- | 1 |
| 33 | 2200000633 | 針線揚線桿 Thread Take-up (CT0633) ----- | 1 |
| *34 | 2210000634 | 裝飾線揚線桿 Thread Take-up ----- | 1 |
| *35 | 8MB85240806K | 螺絲 Screw (C0635 M3.5-0.6*8) ----- | 2 |
| 36 | 2210000636 | 聚油環 Oil Sleeve ----- | 1 |
| 37 | 2100001404 | 孔塞 Plug (SH1404) ----- | 1 |
| 38 | 66800 | 油線 Oil Wick ----- | 1 |
| 39 | 66800 | 油線 Oil Wick ----- | 1 |
| **40 | 8MB85240607K | 螺絲 Screw (C0637 M3.5-0.6*6) ----- | 2 |
| 41 | 8MN06401100C | 螺絲 Screw (C0548 M6-1*11) ----- | 1 |
| 42 | 8MN06400800A | 螺絲 Screw (C0549 M6-1*8) ----- | 1 |
| 43 | 222A0000645 | 套管接頭組 Joint Asm ----- | 1 |
| 44 | 222A0000646 | 套管接頭組 Joint Asm ----- | 1 |
| 45 | 222A0000647 | 平衡錘組 Balance Weight Asm ----- | 1 |
| 46 | 222A0000648 | 連桿組 Connecting Rod Asm ----- | 1 |
| 47 | 222A0000649 | 曲柄組 Ball Lever Asm ----- | 1 |
| 48 | 222A0000650 | 連桿組 Connecting Rod Asm ----- | 1 |

*具有上飾線 With top cover thread

**不具有上飾線 Without top cover thread

7. 針棒與相關零件 Needle Bar Components



7. 針留編號列表 Needle Clamp

| 針留針距 needle clamp | FT7000-0-02 □□ M FT7000-0-2 □□ M | FT7000-0-03 □□ M FT7000-0-3 □□ M |
|----------------------|-------------------------------------|-------------------------------------|
| 4.0 | 5220NC00400 | |
| 4.8 | 5220NC00480 | |
| 5.6 | 5220NC00561 | |
| 6.4 | | 5220NC00641 |

8. 縫針用量列表 Needle Req.

| 針號 UY128GAS | FT7000-0-02 □□ M FT7000-0-2 □□ M | FT7000-0-03 □□ M FT7000-0-3 □□ M |
|-----------------|-------------------------------------|-------------------------------------|
| 數量 Amt. Req. | 2 | 3 |

13. 針板編號列表 Needle Plate

| 針板針距 Thread plate | FT7000-0-02 M □□ FT7000-0-2 M □□ | FT7000-0-03 □□ M FT7000-0-3 □□ M | ★ FT7000-0-03 □□ M FT7000-0-3 □□ M |
|----------------------|-------------------------------------|-------------------------------------|--|
| 4.0 | 5222TP00401 | | |
| 4.8 | 5220TP00484 | | |
| 5.6 | 5220TP00564 | 5220TP00564 | 5220TP00568 |
| 6.4 | | 5220TP00642 | 5220TP00646 |

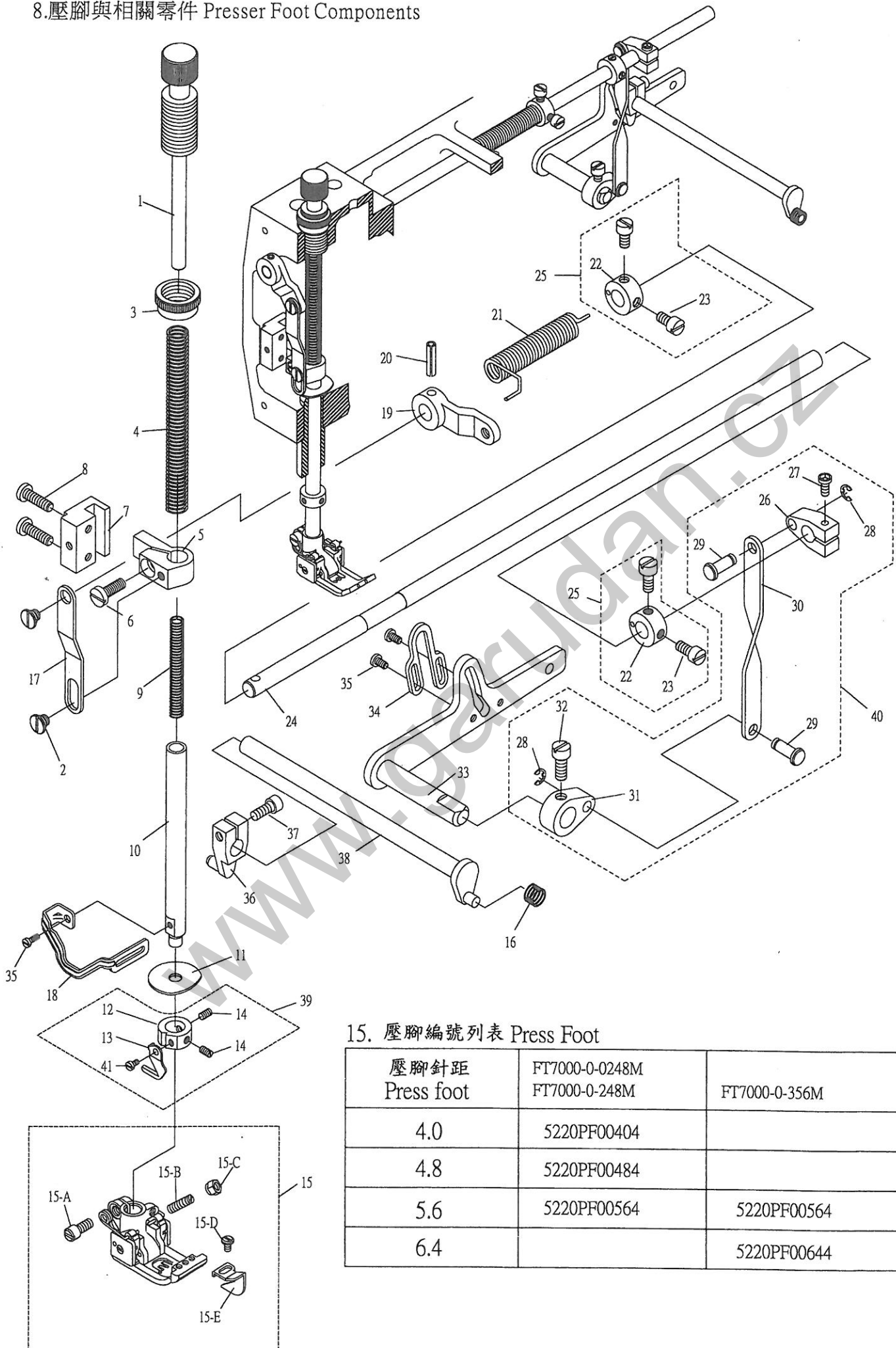
★ 薄類用

7.針棒與相關零件 Needle Bar Components

| 序號 Ref. No. | 物料編號 Parts Number | 名稱 Description | 單位用量 Amt.Req. |
|----------------|----------------------|--|------------------|
| 1 | 2210000701 | 導線 Thread Guide ----- | 1 |
| 2 | 8MB85240607K | 螺絲 Screw (C0637 M3.5-0.6*6) ----- | 1 |
| 3 | 2200000704 | 墊圈 Washer (CT0704) ----- | 1 |
| 4 | 2210000704 | 針棒 Needle Bar ----- | 1 |
| 5 | 2210000705 | 針棒驅動銷 Needle Bar Clamp ----- | 1 |
| 6 | 8MB95301107K | 螺絲 Screw (C0706 M4.5-0.75*11) ----- | 1 |
| 7 | ----- | 針留 Needle clamp (See Left Page) ----- | 1 |
| 8 | ----- | 針 Needle --(UYX128GAS See Left Page) ----- | - |
| 9 | 8SH32440300A | 螺絲 Screw (SH0465 1/8"-44*2.5) ----- | 1 |
| *10 | 2210000710 | 導線 Thread Guide (FT0710) ----- | 1 |
| 11 | 8SH32440300A | 螺絲 Screw (SH0465 1/8"-44*2.5) ----- | 1 |
| 12 | 8SH32440300A | 螺絲 Screw (SH0465 1/8"-44*2.5) ----- | 1 |
| 13 | ----- | 針板 Needle Plate (See Left Page) ----- | 1 |
| 14 | 8SF36400706C | 螺絲 Screw (C0712 9/64"-40*7) ----- | 2 |
| 15 | 8MB04281607A | 螺絲 Screw (C0724 M4-0.7*16) ----- | 2 |
| 16 | 2210000716 | 平衡錘 Balance Weight ----- | 1 |
| 17 | 8MM05321009A | 螺絲 Screw (CT626 M5-0.8*10) ----- | 1 |
| 18 | 2200000716 | 墊圈 Washer (CT0716) ----- | 1 |
| 19 | 8MM04282507B | 螺絲 Screw (FT0719 M4-0.7*25) ----- | 2 |
| 20 | 2210000720 | 連桿 Connecting Rod ----- | 1 |
| 21 | 90NB081113 | 滾針軸承 Ball Bearing (CT0719) ----- | 1 |
| 22 | 2100001404 | 孔塞 Plug (SH1404) ----- | 1 |
| 23 | 66800 | 油線 Oil Wick ----- | 1 |
| 24 | 2210000724 | 曲柄銷 Rod Pin ----- | 1 |
| 25 | 22000001091 | 孔塞 Plug (CT01019) 白色 ----- | 1 |
| 26 | 2200000722 | 滑塊 Slide Block (CT0722) ----- | 1 |
| 27 | 2210000727 | 滑道 Guide Block ----- | 1 |
| 28 | 2210000728 | 羊毛氈扣環 Felt Guard ----- | 1 |
| 29 | 2210000729 | 羊毛氈 Felt ----- | 1 |
| 30 | 2210000730 | 冷卻油槽 Cooler Oil Tank ----- | 1 |
| 31 | 2210000731 | 冷卻油槽蓋 Cooler Oil Tank Cover ----- | 1 |

www.gaxudan.cz

8. 壓腳與相關零件 Presser Foot Components



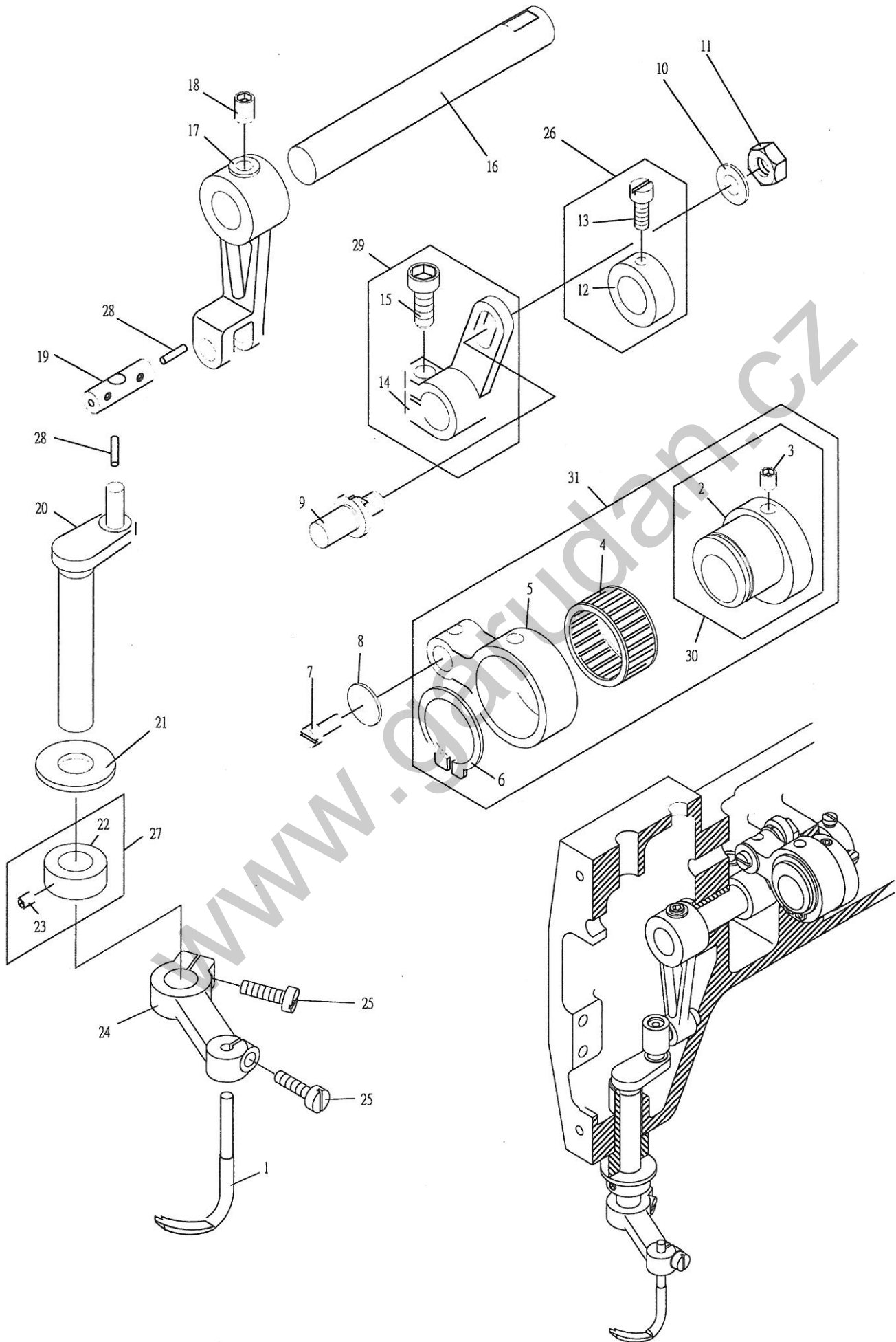
15. 壓腳編號列表 Press Foot

| 壓腳針距 Press foot | FT7000-0-0248M FT7000-0-248M | FT7000-0-356M |
|--------------------|---------------------------------|---------------|
| 4.0 | 5220PF00404 | |
| 4.8 | 5220PF00484 | |
| 5.6 | 5220PF00564 | 5220PF00564 |
| 6.4 | | 5220PF00644 |

8.壓腳與相關零件 Presser Foot Components

| 序號 | 物料編號 | 名稱 | 單位用量 |
|----------|--------------|---------------------------------------|----------|
| Ref. No. | Parts Number | Description | Amt.Req. |
| 1 | 2280000801 | 壓力調整螺椿 Spring Regulator ----- | 1 |
| 2 | 8MB05320509G | 螺絲 Screw (CT0802 M5-0.8*5) ----- | 2 |
| 3 | 2200000803 | 螺帽 Nut (Ct0803)----- | 1 |
| 4 | 2210000804 | 彈簧 Spring ----- | 1 |
| 5 | 2200000805 | 壓腳棒連結臂 Presser Bar Clamp ----- | 1 |
| 6 | 8MC95300808E | 螺絲 Screw (CT1038 M4.5-0.75*8) ----- | 1 |
| 7 | 2200000807 | 滑道 GuideBlock (CT0807)----- | 1 |
| 8 | 8MB95301407K | 螺絲 Screw (C0620 M4.5-0.75*14) ----- | 2 |
| 9 | 2210000809 | 彈簧 Spring ----- | 1 |
| 10 | 2200000810 | 壓腳棒 Presser Bar (CT0810) ----- | 1 |
| 11 | 2200000811 | 阻油片 Oil Separator ----- | 1 |
| 12 | 2220000812 | 限動環 Stop Collar ----- | 1 |
| 13 | 2220000813 | 固定切刀 Knife ----- | 1 |
| 14 | 8MH85240300A | 螺絲 Screw (CT0813 M3.5-0.6*3) ----- | 2 |
| 15 | ----- | 壓腳 Presser Foot(See Left Page) ----- | 1 |
| 15-A | 5220PF0356M | 螺絲 Screw (M3.5-0.6*8) ----- | 1 |
| 15-B | 5221PF0356C | 螺絲 Screw(1/8"-44*11) ----- | 1 |
| 15-C | 5220PF0356D | 螺帽 Nut ----- | 1 |
| 15-D | 8SB24560405A | 螺絲 Screw (SH0413 3/32"-56*4) ----- | 1 |
| 15-E | 5220PF0056L | 導布定規 Curl Guard ----- | 1 |
| 16 | 2200000816 | 彈簧 Spring (CT0816) ----- | 1 |
| 17 | 2200000817 | 連桿 Link (CT0817) ----- | 1 |
| 18 | 2220000818 | 護指擋片 Safety Plate Holder) ----- | 1 |
| 19 | 2200000819 | 連桿 Lever (CT0819) ----- | 1 |
| 20 | 90SP0416 | 彈簧銷 Spring Pin(CT0820) ----- | 1 |
| 21 | 2200000821 | 彈簧 Spring (CT0821) ----- | 1 |
| 22 | 2200000822 | 定位環 Collar (CT0822) ----- | 2 |
| 23 | 8MC95300606F | 螺絲 Screw (CT0823 M4.5-0.75*5.5) ----- | 4 |
| 24 | 2200000824 | 軸 Shaft (CT0824) ----- | 1 |
| 25 | 220A0000825 | 定位環組 Collar Asm.(CT0822A) ----- | 2 |
| 26 | 2200000826 | 連桿 Lever (CT0826) ----- | 1 |
| 27 | 8MM05321409A | 螺絲 Screw (CT0632 M5-0.8*14) ----- | 1 |
| 28 | 90ER030 | E形扣環 E Ring (CT0828) ----- | 2 |
| 29 | 2200000829 | 連結銷 Connecting Pin (CT0829) ----- | 2 |
| 30 | 2200000830 | 連桿 Link (CT0830) ----- | 1 |
| 31 | 2200000831 | 連桿 Lever (CT0831) ----- | 1 |
| 32 | 8MC06401008E | 螺絲 Screw (C0832 M6-1*9.5) ----- | 1 |
| 33 | 2210000833 | 揚昇臂 Lifter Arm ----- | 1 |
| 34 | 2210000834 | 揚昇臂限位片 Stopper ----- | 1 |
| 35 | 8MB85240607K | 螺絲 Screw (C0637 M3.5-0.6*6) ----- | 3 |
| 36 | 2200000836 | 曲柄 Drive Arm (CT0836) ----- | 1 |
| 37 | 8MK95301407A | 螺絲 Screw (C0837 M4.5-0.75*14) ----- | 1 |
| 38 | 2200000838 | 曲軸 Shift (CT0838) ----- | 1 |
| 39 | 222A0000842 | 限動環組 Stop Collar Asm ----- | 1 |
| 40 | 220A0000840 | 連桿組 Link Asm.(CT0826A) ----- | 1 |
| 41 | 8MB03200405A | 螺絲 Screw (FT0548 M3-0.5*4) ----- | 1 |

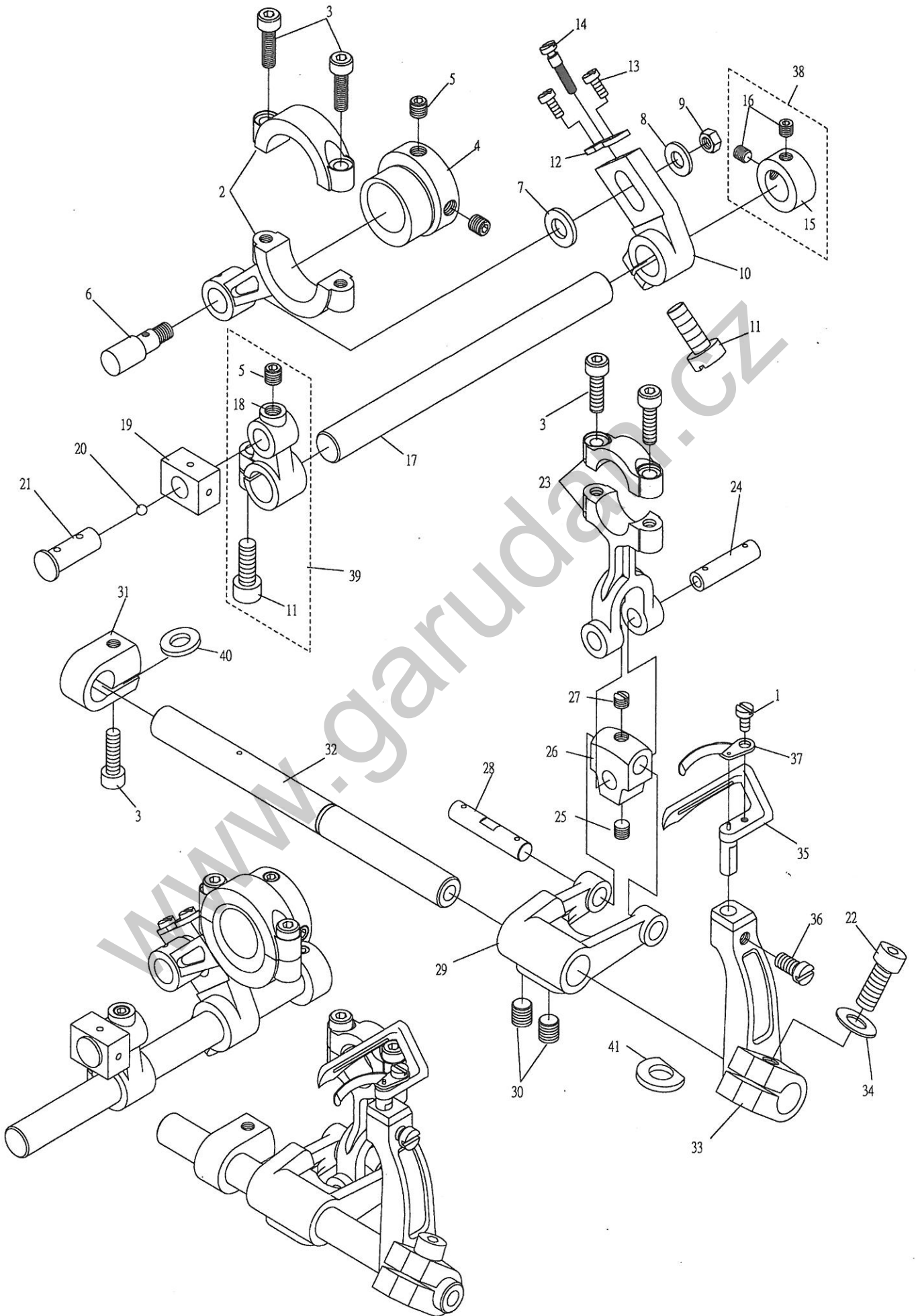
9. 裝飾線驅動機構FT7000專用 Spreader Mechanism FT7000 Only



9. 裝飾線驅動機構FT7000專用 Spreader Mechanism FT7000 Only

| 序號 | 物料編號 | 名稱 | 單位用量 |
|----------|--------------|---------------------------------------|----------|
| Ref. No. | Parts Number | Description | Amt.Req. |
| 1 | 5221SL00560 | 裝飾線結線鉤 Spreader ----- | 1 |
| 2 | 2200000902 | 偏心輪 Eccentric ----- | 1 |
| 3 | 8MN05320500E | 螺絲 Screw (CT0903 M5-0.8*5) ----- | 2 |
| 4 | 90NB222613 | 滾針軸承 Needle Bearing ----- | 1 |
| 5 | 2200000905 | 連桿 Connecting Rod ----- | 1 |
| 6 | 90SCR220 | 軸用 C形扣環C Ring ----- | 1 |
| 7 | 8MB04280807K | 螺絲 Screw (CT0215 M4-0.7*8) ----- | 1 |
| 8 | 2200000908 | 墊圈 Washer ----- | 1 |
| 9 | 2200000909 | 曲柄銷 Rod Pin ----- | 1 |
| 10 | 2200000910 | 墊圈 Washer ----- | 1 |
| 11 | 8MA06400510A | 螺帽 Nut (CT0533 M6-1*5) ----- | 1 |
| 12 | 2200000912 | 定位環 Collar ----- | 1 |
| 13 | 8MC95300606F | 螺絲 Screw (CT0823 M4.5-0.75*5.5) ----- | 2 |
| 14 | 2200000914 | 變距曲柄 Lever ----- | 1 |
| 15 | 8MM06401610A | 螺絲 Screw (CT0625 M6-1*16) ----- | 1 |
| 16 | 2200000916 | 軸 Shaft ----- | 1 |
| 17 | 2220000917 | 連桿 Connecting Rod ----- | 1 |
| 18 | 8MN06400600A | 螺絲 Screw (CT0244 M6-1*6) ----- | 2 |
| 19 | 2220000919 | 連桿銷 Rod Pin ----- | 1 |
| 20 | 2220000920 | 曲軸 Crank Shaft ----- | 1 |
| 21 | 2200000921 | 墊圈 Washer ----- | 1 |
| 22 | 2200000922 | 定位環 Collar ----- | 1 |
| 23 | 8MH85240500A | 螺絲 Screw (CT0923 M3.5-0.6*4.5) ----- | 2 |
| 24 | 2200000924 | 擺動臂 Spreader Arm ----- | 1 |
| 25 | 8MB04281207K | 螺絲 Screw (CT0239 M4-0.7*12) ----- | 2 |
| 26 | 220A0000926 | 定位環組 Collar Asm ----- | 1 |
| 27 | 220A0000927 | 定位環組 Collar Asm ----- | 1 |
| 28 | 66801 | 油線 Oil Wick ----- | 2 |
| 29 | 222A0000929 | 變距曲柄 Lever ----- | 1 |
| 30 | 222A0000930 | 偏心輪組 Collar Asm ----- | 1 |
| 31 | 222A0000931 | 偏心輪組 Collar Asm ----- | 1 |

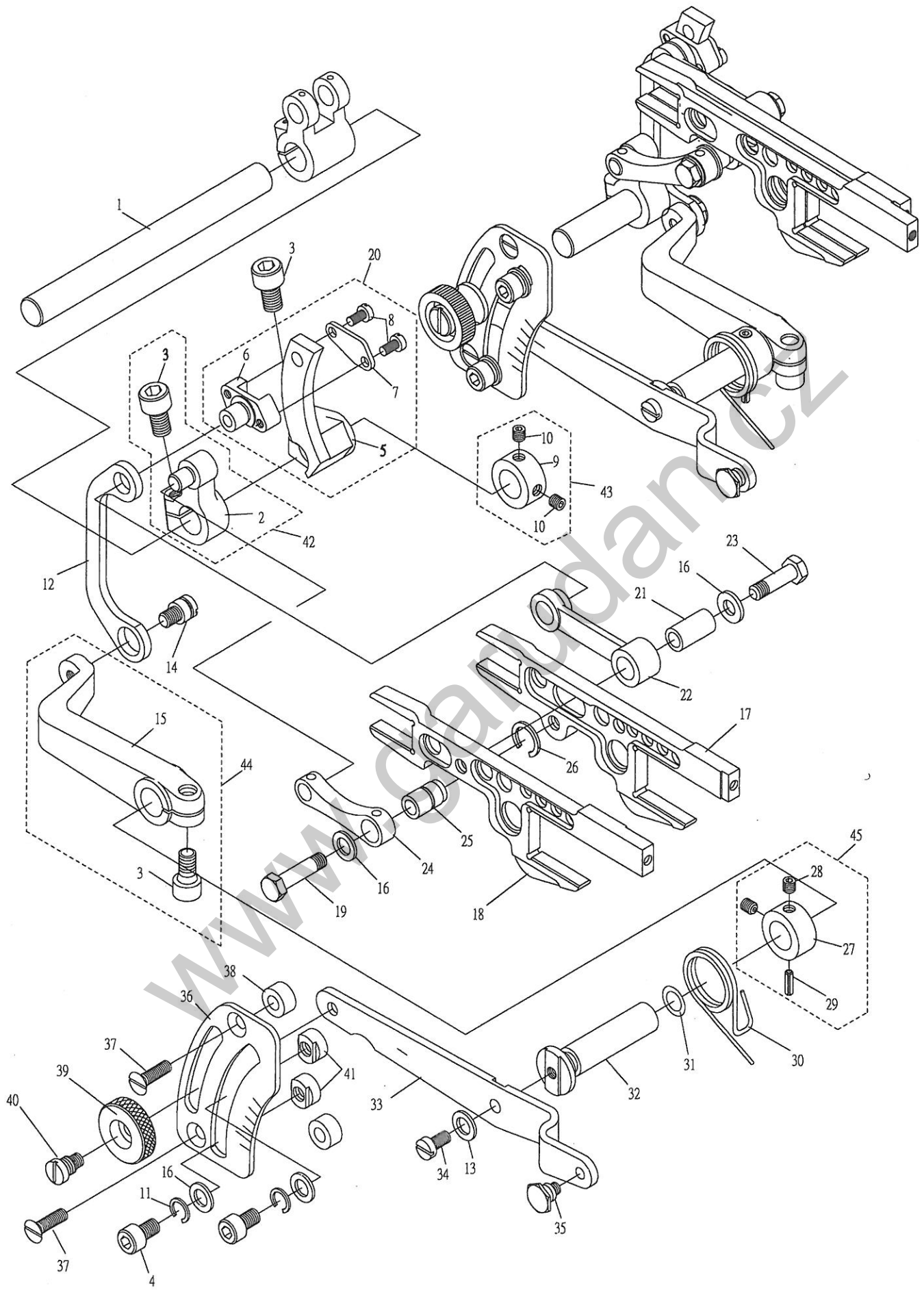
10. 結線鉤驅動機構 Looper Driving Mechanism



10. 結線鉤驅動機構 Looper Driving Mechanism

| 序號 Ref. No. | 物料編號 Parts Number | 名稱 Description | 單位用量 Amt. Req. |
|----------------|----------------------|---------------------------------------|-------------------|
| 1 | 8SB24560404A | 螺絲 Screw (F1001) ----- | 1 |
| 2 | 2210001002 | 連桿 Connecting Rod ----- | 1 |
| 3 | 8MM04281407A | 螺絲 Screw (FT1003 M4-0.7*14) ----- | 5 |
| 4 | 2210001004 | 偏心輪 Eccentric ----- | 1 |
| 5 | 8MN05320500E | 螺絲 Screw (CT0903 M5-0.8*5) ----- | 3 |
| 6 | 2210001006 | 曲柄銷 Lever Pin ----- | 1 |
| 7 | 2210001007 | 隔環 Spacer ----- | 1 |
| 8 | 2200001025 | 墊圈 Washer (CT1025)----- | 1 |
| 9 | 8MA05320408A | 螺帽 Nut (CT1028 M5-0.8*4) ----- | 1 |
| 10 | 2210001010 | 變距曲柄 Adjusting Lever ----- | 1 |
| 11 | 8MM05321209A | 螺絲 Screw (FT0524) ----- | 2 |
| 12 | 2210001012 | 卡桿 Adjusting Guide Plate ----- | 1 |
| 13 | 8MB75180505A | 螺絲 Screw (CTS0218 M2.5-0.45*5) ----- | 2 |
| 14 | 2210001014 | 變距螺樁 Adjusting Stud ----- | 1 |
| 15 | 2210001015 | 定位環 Collar ----- | 1 |
| 16 | 8MN04280400A | 螺絲 Screw (CT0229 M4-0.7*4) ----- | 2 |
| 17 | 2210001017 | 軸 Shaft ----- | 1 |
| 18 | 2210001018 | 曲柄 Lever ----- | 1 |
| 19 | 2210001019 | 驅動滑塊 Slide Block ----- | 1 |
| 20 | 2100000403 | 孔塞 Plug (SH0403) ----- | 1 |
| 21 | 2210001021 | 曲柄銷 Lever Pin ----- | 1 |
| 22 | 8MN05321609A | 螺絲 Screw (RP101-11 M5-0.5*16) ----- | 1 |
| 23 | 2210001023 | 連桿 Rod ----- | 1 |
| 24 | 2210001024 | 連結銷 Connecting Pin ----- | 1 |
| 25 | 8MN95300600A | 螺絲 Screw (FT1025 M 4.5-0.75*6) ----- | 1 |
| 26 | 2210001026 | 十字接頭 Lever Link ----- | 1 |
| 27 | 8MH95300400A | 螺絲 Screw (FT1027 M4.5-0.75*3.5) ----- | 1 |
| 28 | 2210001028 | 連結銷 Connecting Pin ----- | 1 |
| 29 | 2210001029 | 曲柄 Lever ----- | 1 |
| 30 | 8MN06400600A | 螺絲 Screw (CT0244 M6-1*6) ----- | 2 |
| 31 | 2210001031 | 止推夾環 Collar ----- | 1 |
| 32 | 2210001032 | 軸 Shaft ----- | 1 |
| 33 | 2210001033 | 擺動臂 Rocker Arm ----- | 1 |
| 34 | 2210001034 | 墊圈 Washer ----- | 1 |
| 35 | 5221LL00561 | 下結線鉤 Looper ----- | 1 |
| 36 | 8MB04280705K | 螺絲 Screw (FT1036 M4-0.7*7) ----- | 1 |
| 37 | 5221NG00561 | 前導針器 Needle Guide (NGF00D1) ----- | 1 |
| 38 | 221A0001038 | 定位環組 Collar Asm. ----- | 1 |
| 39 | 221A0001039 | 曲柄組 Lever Asm. ----- | 1 |
| 40 | 2100000223 | 墊圈 Washer (W3)----- | 1 |
| 41 | 2210001041 | 墊片 Washer ----- | 1 |

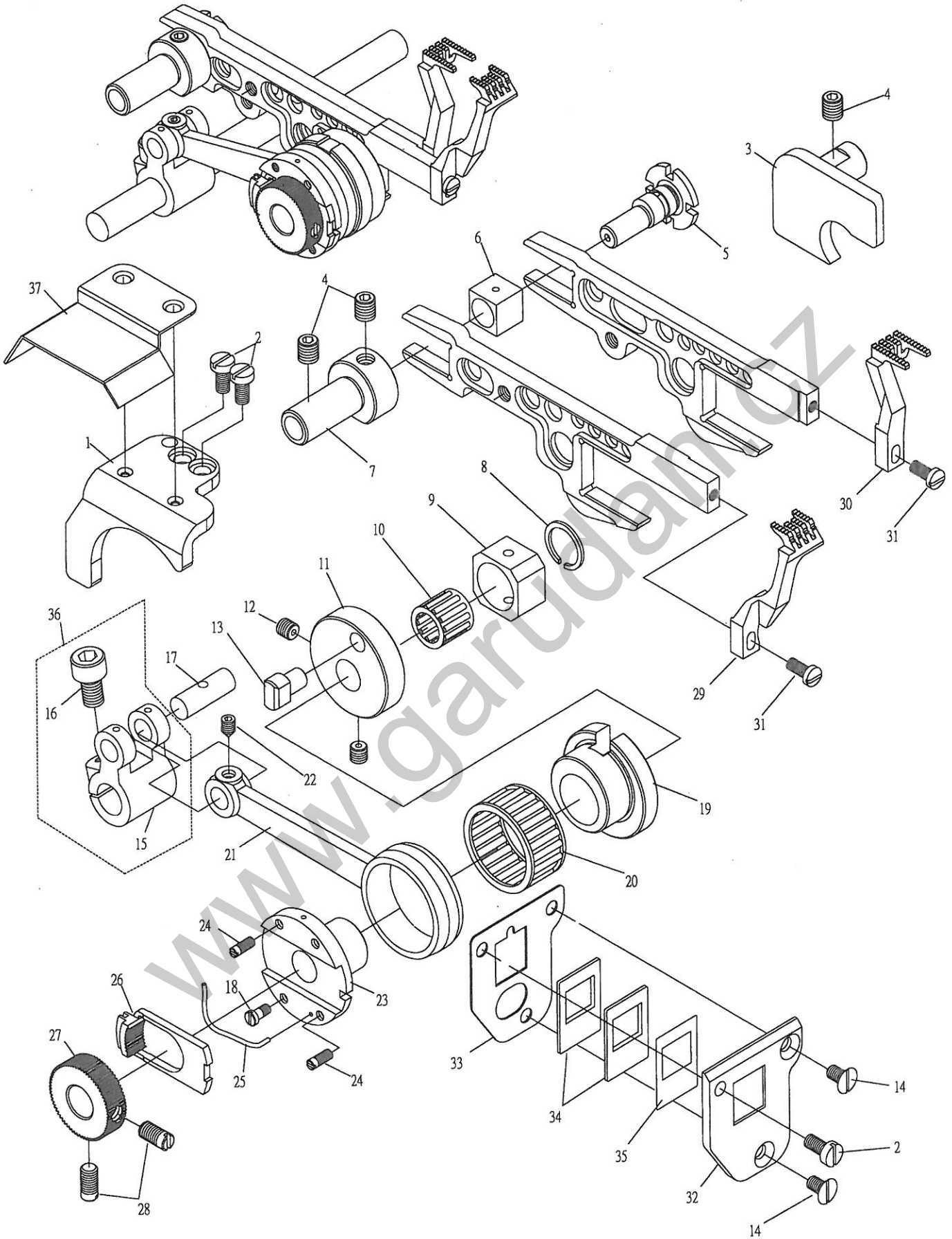
11.進給變換機構 Feed Control Driving



11.進給變換機構 Feed Control Driving

| 序號 | 物料編號 | 名稱 | 單位用量 |
|----------|--------------|--|-----------|
| Ref. No. | Parts Number | Description | Amt. Req. |
| 1 | 2210001101 | 軸 Shaft ----- | 1 |
| 2 | 2210001102 | 曲柄 Lever ----- | 1 |
| 3 | 8MM06401210A | 螺絲 Screw (FT1103 M6-1*12) ----- | 3 |
| 4 | 8MM05320809A | 螺絲 Screw (CT1145 M5-0.8*8) ----- | 2 |
| 5 | 2210001105 | 差動變距滑道 Differential Rocker ----- | 1 |
| 6 | 2210001106 | 差動變距滑塊 Slide Block ----- | 1 |
| 7 | 2210001107 | 滑塊檔板 Slide Block Cap ----- | 1 |
| 8 | 8MB03200606K | 螺絲 Screw (CT1207 M3-0.5*6) ----- | 2 |
| 9 | 2210001109 | 定位環 Collar ----- | 1 |
| 10 | 8MN05320500E | 螺絲 Screw (CT0903 M5-0.8*5) ----- | 2 |
| 11 | 90SW050 | 彈簧墊圈 Spring Washer (CT0631) ----- | 2 |
| 12 | 2210001112 | 連桿 Link ----- | 1 |
| 13 | 2100000223 | 墊圈 Washer (W3)----- | 1 |
| 14 | 2210001114 | 連結銷 Connecting Pin ----- | 1 |
| 15 | 2210001115 | 差動變換臂 Differential Lever ----- | 1 |
| 16 | 2200001025 | 墊圈 Washer (CT1025) ----- | 4 |
| 17 | 2210001117 | 主送齒驅動座 Feed Dog Seat ----- | 1 |
| 18 | 2210001118 | 副送齒驅動座 Feed Dog Seat ----- | 1 |
| 19 | 8MK05201808G | 螺絲 Screw (FT1119 M5-0.5*18)----- | 1 |
| 20 | 221A0001147 | 差動變距滑道組 Differential Rocker Asm. ----- | 1 |
| 21 | 2210001121 | 套管 Bushing ----- | 1 |
| 22 | 2210001122 | 連桿 Rod ----- | 1 |
| 23 | 8MK05202108G | 螺絲 Screw (FT1123 M5-0.5*21)----- | 1 |
| 24 | 2210001124 | 連桿 Rod ----- | 1 |
| 25 | 2210001125 | 套管 Bushing ----- | 1 |
| 26 | 2210001126 | C形同心扣環 C Ring ----- | 1 |
| 27 | 2210001127 | 定位環 Collar ----- | 1 |
| 28 | 8MN04280400A | 螺絲 Screw (CT0229 M4-0.7*4) ----- | 2 |
| 29 | 90SP0416 | 彈簧銷 Spring Pin (CT0820) ----- | 1 |
| 30 | 2210001130 | 回復彈簧 Spring ----- | 1 |
| 31 | 90OR070 | O形油環 O Ring ----- | 1 |
| 32 | 2210001132 | 差動游標軸 Shaft ----- | 1 |
| 33 | 2210001133 | 差動變換桿 Lever ----- | 1 |
| 34 | 8MB04280807K | 螺絲 Screw (CT0215 M4-0.7*8) ----- | 1 |
| 35 | 2210001135 | 懸掛螺樁 Stud ----- | 1 |
| 36 | 2210001136 | 差動刻記板 Regulator Plate ----- | 1 |
| 37 | 8ME04281408A | 螺絲 Screw (CT1140 M4-0.7*14) ----- | 2 |
| 38 | 2200001141 | 隔環 Spacer (CT1141) ----- | 2 |
| 39 | 2200001147 | 螺帽 Nut ----- | 1 |
| 40 | 8MB06401108T | 螺樁 Stud (FT71140 M6-1*11) ----- | 1 |
| 41 | 2200001142 | 止動環 Stopper (CT1142) ----- | 2 |
| 42 | 221A0001142 | 曲柄組 Lever Asm. (F1102A) ----- | 1 |
| 43 | 221A0001143 | 定位環組 Collar Asm. (F1109A) ----- | 1 |
| 44 | 221A0001144 | 差動變換臂組 Differential Lever Asm.(F1115A) ----- | 1 |
| 45 | 221A0001145 | 定位環組 Collar Asm. (F1127A)----- | 1 |

12. 導針與送布齒驅動機構 Needle Guide And Feed Dog Driving



30. 主送齒編號列表 Main Feed Dog

| | |
|-----------------------|-------------|
| 主送布齒 main feed dog | FT7000 |
| 4.0 4.8 5.6 | 5221FD00564 |
| 6.4 | 5221FD00644 |

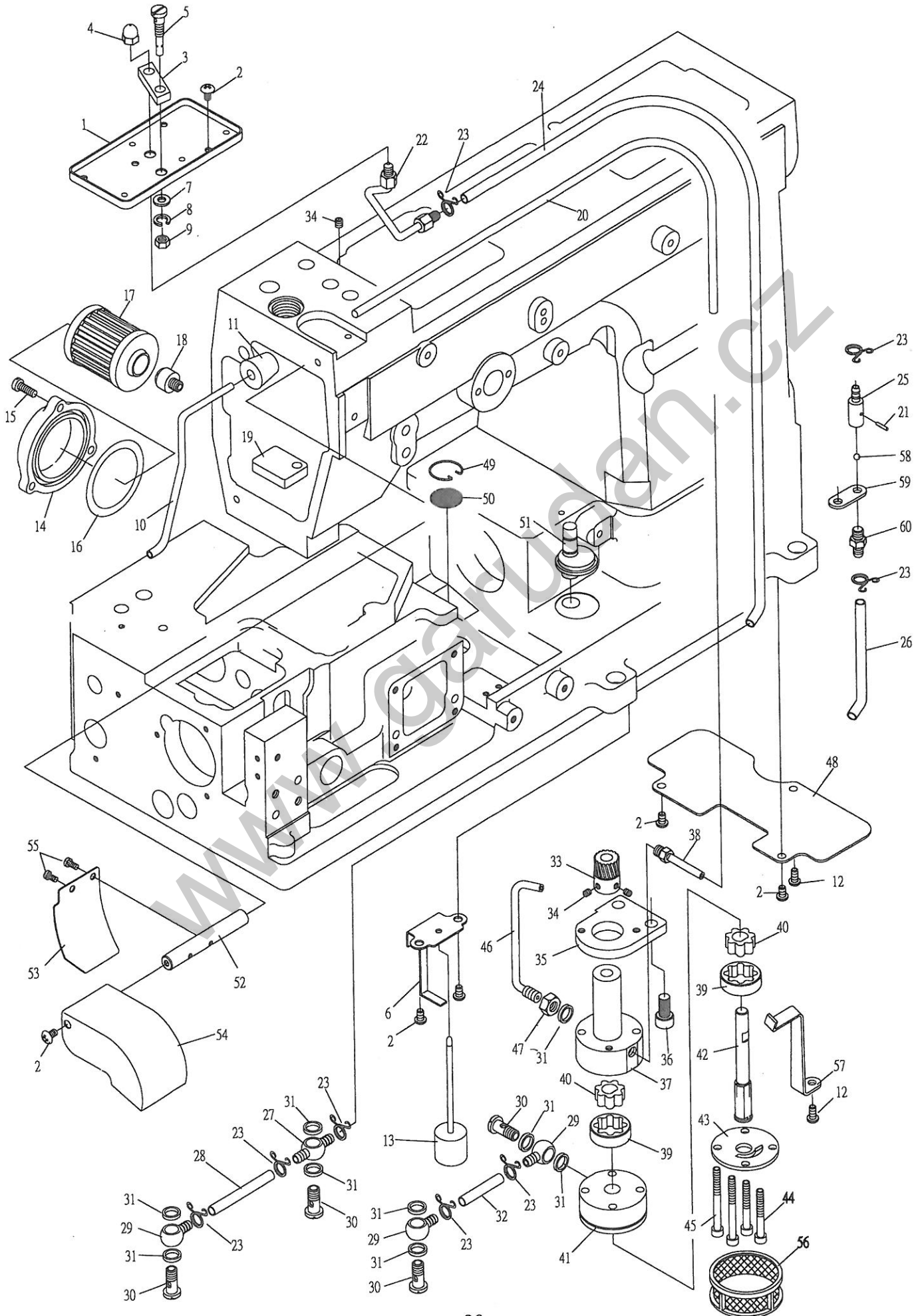
29. 副送齒編號列表 Diff. Feed Dog

| | |
|------------------------|-------------|
| 副送布齒 diff. feed dog | FT7000 |
| 4.0 4.8 5.6 | 5221DF00563 |
| 6.4 | 5221DF00643 |

12.導針與送布齒驅動機構 Needle Guide And Feed Dog Driving

| 序號 Ref. No. | 物料編號 Parts Number | 名稱 Description | 單位用量 Amt. Req. |
|----------------|----------------------|-------------------------------------|-------------------|
| 1 | 22100012011 | 送布齒座導軌 Feed Bar Guide | 1 |
| 2 | 8MB04280807K | 螺絲Screw (CT0215 M4-0.7*8) | 1 |
| 3 | 2210001203 | 送布齒座導軌 Feed Bar Guide | 3 |
| 4 | 8MN06400600A | 螺絲Screw (CT0244 M6-1*6) | 1 |
| 5 | 2210001205 | 送布齒台調整軸 Feed Adjusting Shaft | 3 |
| 6 | 2200001245 | 滑塊 Slide Block (CT1245) | 1 |
| 7 | 2210001207 | 懸臂 Guide | 1 |
| 8 | 2210001208 | C型同心扣環 C Riing | 1 |
| 9 | 2210001209 | 滑塊 Slide Block | 1 |
| 10 | 90NB121510 | 滾針軸承 Needle Bearing | 1 |
| 11 | 2210001211 | 變距銷座 Eccentric Pin Holder | 1 |
| 12 | 8MN05320500E | 螺絲 Screw (CT0903 M5-0.8*5) | 1 |
| 13 | 2210001213 | 變距銷 Eccentric Pin | 2 |
| 14 | 8ME04280708A | 螺絲 Screw (CT0206 M4-0.7*5) | 1 |
| 15 | 2210001215 | 曲柄 Shaft | 2 |
| 16 | 8MM06401210A | 螺絲 Screw (FT1103 M6-1*12) | 1 |
| 17 | 2210001217 | 曲柄銷 Shaft Pin | 1 |
| 18 | 8MB03200605B | 螺絲 Screw (FT1218 M3-0.5*6) | 1 |
| 19 | 2210001219 | 進給偏心輪 Eccentric | 1 |
| 20 | 90NB242810 | 滾針軸承 Needle Bearing | 1 |
| 21 | 2210001221 | 連桿 Rod | 1 |
| 22 | 8MN04280500C | 螺絲 Screw (FT1222 M4-0.7*5) | 1 |
| 23 | 2210001223 | 變距偏心輪 Regulating Eccentric | 1 |
| 24 | 8MB03200403F | 螺絲 Screw (FT1224 M3-0.8*8) | 1 |
| 25 | 2210001225 | 彈簧 Spring | 2 |
| 26 | 2210001226 | 離合齒片 Regulating Plate | 1 |
| 27 | 2210001227 | 離合齒輪 Regulating Gear | 1 |
| 28 | 8MB05320805F | 螺絲 Screw (FT1228 M5-0.8*8) | 1 |
| 29 | ----- | 副送布齒 Diff. Feed Dog (See Left Page) | 2 |
| 30 | ----- | 主送布齒 Main Feed Dog (See Left Page) | 1 |
| 31 | 8MB85240807K | 螺絲 Screw (FT0555 M3.5-0.6*8) | 1 |
| 32 | 2210001232 | 滑動油封座 Rubber Case | 2 |
| 33 | 2280001233 | 輔助油封座 Gasket | 1 |
| 34 | 2280001234 | 從動式油封 Rubber | 1 |
| 35 | 2280001235 | 墊片 Washer | 2 |
| 36 | 221A0001236 | 曲柄組 Crank Asm. (F1215A) | 1 |
| 37 | 2210001237 | 防油蓋 Cover | 1 |

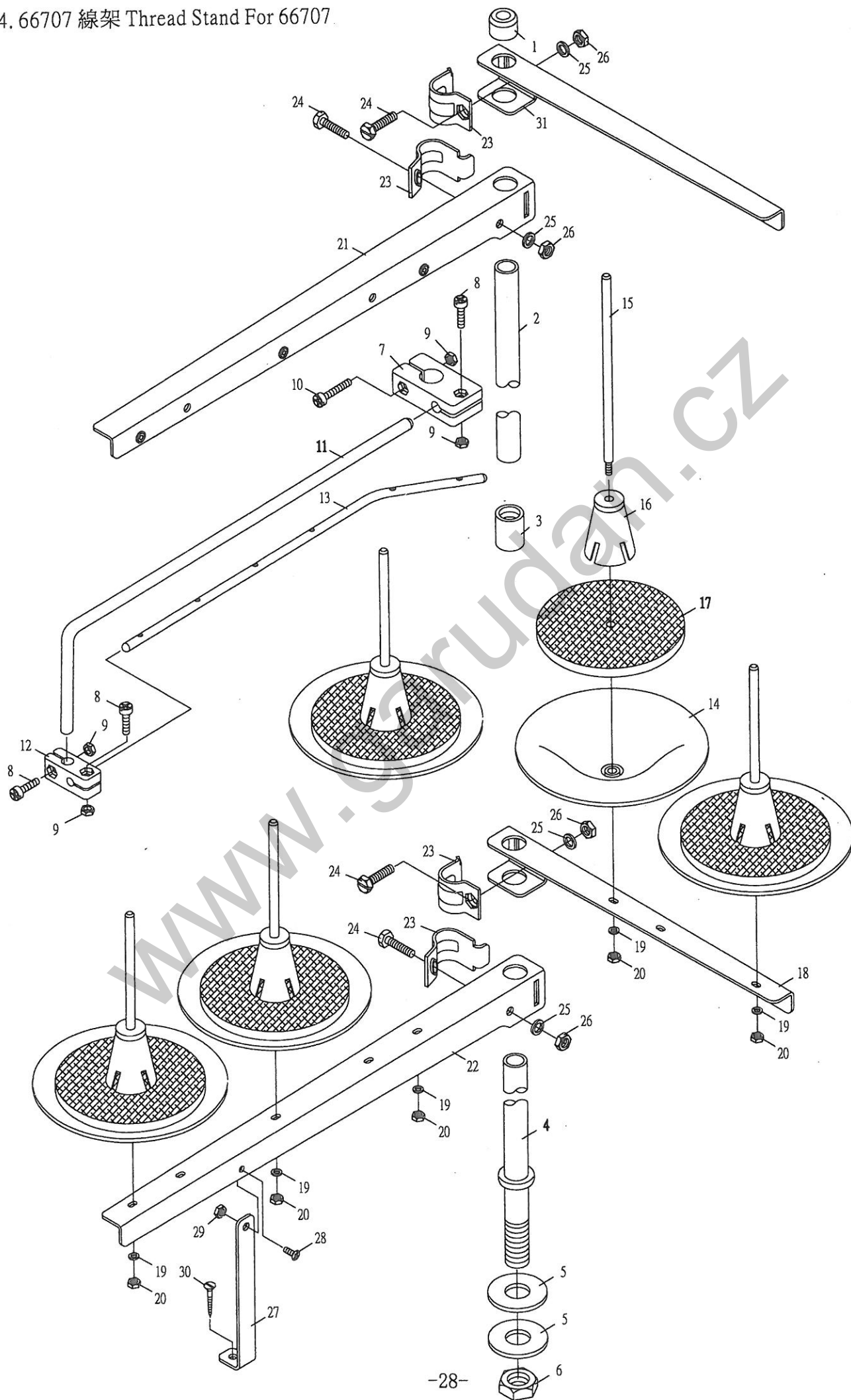
13. 潤滑系統 Lubrication System



13.潤滑系統 Lubrication System

| 序號 Ref. No. | 物料編號 Parts Number | 名稱 Description | 單位用量 Amt. Req. |
|----------------|----------------------|------------------------------|-------------------|
| 1 | 2210001301 | 承油盤 Oil Receiver | 1 |
| 2 | 8MC04280507D | 螺絲 Screw (CT0122 M4-.7*5) | 9 |
| 3 | 2210001303 | 導油歧路 Lubricant Guiding Block | 1 |
| 4 | 2210001304 | 噴油嘴 Nozzle | 1 |
| 5 | 2210001305 | 注油管 Oil Pipe | 1 |
| 6 | 2210001306 | 浮標座 Indicator Support | 1 |
| 7 | 2100000223 | 墊圈 Washer (W3) | 1 |
| 8 | 90SW050 | 彈簧墊圈 Spring Washer | 1 |
| 9 | 8MA05320408A | 螺帽 Nut (CT1028 M5-0.8*4) | 1 |
| 10 | 2210001310 | 油管 Oil Tube | 1 |
| 11 | 2210001311 | 孔塞 Plug | 1 |
| 12 | 8MC04280807D | 螺絲 Screw (CT0130 M4-0.7*8) | 1 |
| 13 | 2210001313 | 油面浮標 Indicator | 2 |
| 14 | 2200001311 | 封蓋 Oil Filter Cover | 1 |
| 15 | 8MB04281207K | 螺絲 Screw (CT0239 M4-0.7*12) | 1 |
| 16 | 2200001313 | O形油環 O Ring | 3 |
| 17 | 2100001521 | 過濾器 Oil Filter | 1 |
| 18 | 2200001315 | 過濾器接頭 Oil Filter Joint | 1 |
| 19 | 2200001318 | 羊毛氈 Felt | 1 |
| 20 | 66792 | 油管 Oil Tube | 1 |
| 21 | 2220001331 | 銷 Pin | 1 |
| 22 | 2210001322 | 油管 Oil Tube | 1 |
| 23 | 2100001536 | 夾簧 Latch Spring (SH1536) | 1 |
| 24 | 66790 | 油管 Oil Tube | 8 |
| 25 | 2220001325 | 單向閥 One Way Valve | 1 |
| 26 | 66790 | 油管 Oil Tube | 1 |
| 27 | 2200001327 | 油管接頭 Oil Tube Joint | 1 |
| 28 | 2200001328 | 油管 Oil Tube | 1 |
| 29 | 2100001535 | 油管接頭 Oil Tube Joint (SH1535) | 1 |
| 30 | 2100001533 | 螺樁 Stud | 3 |
| 31 | 2100001534 | 油封 Seal | 4 |
| 32 | 2200001332 | 油管 Oil Tube | 9 |
| 33 | 2200001341 | 蝸母 Worm Gear | 1 |
| 34 | 8MN04280400A | 螺絲 Screw (CT0229 M4-0.7*40) | 1 |
| 35 | 2200001352 | 泵座 Pump Seat | 3 |
| 36 | 8MM06401210A | 螺絲 Screw (FT1103 M6-1*12) | 1 |
| 37 | 2200001353 | 回收泵 Pump Body | 2 |
| 38 | 2200001344 | 油管 Oil Tube | 1 |
| 39 | 2200001354 | 外轉子 Outside Rotor | 1 |
| 40 | 2200001355 | 內轉子 Inside Rotor | 2 |
| 41 | 2200001356 | 壓出泵 Rotor Case | 2 |
| 42 | 2200001357 | 軸 Shaft | 1 |
| 43 | 2200001358 | 封蓋 Cover | 1 |
| 44 | 8MM04283007B | 螺絲 Screw (CT1359 M4-0.7*30) | 1 |
| 45 | 8MM04284007B | 螺絲 Screw (CT1310 M4-0.7*40) | 2 |
| 46 | 2200001346 | 噴油嘴 Nozzle | 2 |
| 47 | 8MA06400510A | 螺帽 Nut (CT0533 M6-1*5) | 1 |
| 48 | 2210001348 | 隔板 Separate | 1 |
| 49 | 2200001316 | 扣簧 Filter Screen Clamp | 1 |
| 50 | 2200001317 | 網板 Filter Screen | 1 |
| 51 | 2210001351 | 油面計 Oil Wick | 1 |
| 52 | 2210001352 | 軸 Shaft | 1 |
| 53 | 2210001353 | 防油蓋 Cover | 1 |
| 54 | 2210001354 | 防油蓋 Cover | 1 |
| 55 | 8MB03200506K | 螺絲 Screw (CT0525 M3-0.5*5) | 1 |
| 56 | 2200001366 | 油網 Oil Mesh | 2 |
| 57 | 2200001348 | 油管支撐臂 Oil Tube Holder | 1 |
| 58 | 2220001349 | 鋼珠 Steel ball | 1 |
| 59 | 2220001339 | 止回閥座 Bracket | 1 |
| 60 | 2220001340 | 油嘴 Oil Tube Joint | 1 |

14. 66707 線架 Thread Stand For 66707

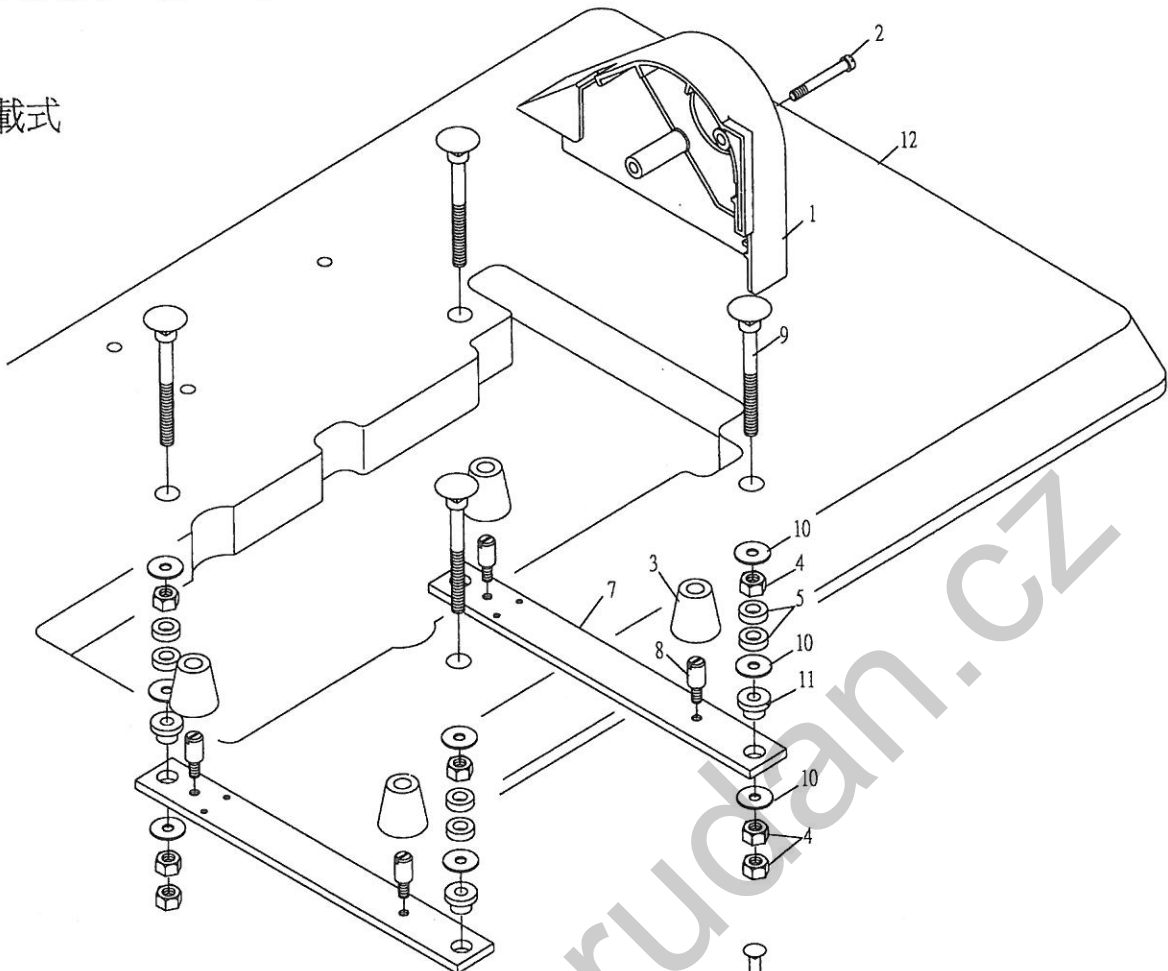


4. 66707 線架 Thread Stand For 66707

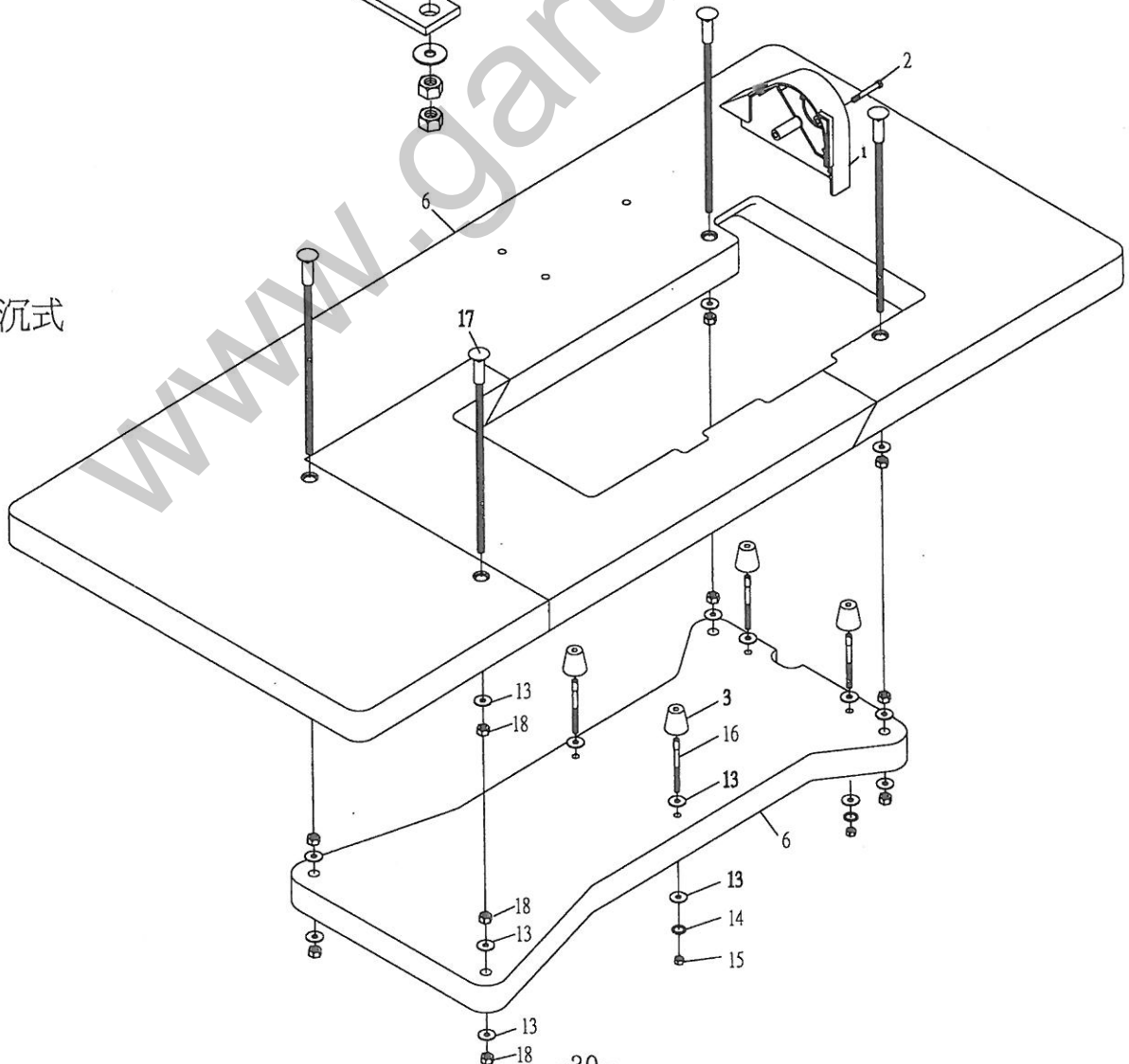
| 序號 Ref. No. | 物料編號 Parts Number | 名稱 Description | 單位用量 Amt. Req. |
|----------------|----------------------|---------------------------------|-------------------|
| 1 | 667051 | 柱帽 Rod Cup ----- | 1 |
| 2 | 667052 | 上柱 Upper Thread Stand Rod ----- | 1 |
| 3 | 667053 | 接頭 Joint ----- | 1 |
| 4 | 667054 | 下柱 Lower Thread Stand Rod ----- | 1 |
| 5 | 667055 | 墊圈 Washer ----- | 1 |
| 6 | 667056 | 螺帽 Nut ----- | 2 |
| 7 | 667057 | 接頭 Bracket ----- | 1 |
| 8 | 667058 | 螺絲 Screw ----- | 1 |
| 9 | 667059 | 螺帽 Nut ----- | 3 |
| 10 | 6670510 | 螺絲 Screw ----- | 4 |
| 11 | 6670511 | 旋臂 Arm ----- | 1 |
| 12 | 6670512 | 接頭 Bracket ----- | 1 |
| 13 | 6670513 | 導線桿 Thread Guide ----- | 1 |
| 14 | 6670514 | 線盤 Spool Set for SH6005 ----- | 1 |
| 15 | 6670515 | 線盤軸 Spool Pin ----- | 5 |
| 16 | 6670516 | 定心錐 Spool Retaining Fig ----- | 5 |
| 17 | 6670517 | 緩衝墊 Seat ----- | 5 |
| 18 | 667061 | 線盤座 Spool Set Bracket ----- | 5 |
| 19 | 6670519 | 彈簧墊圈 Spring Washer ----- | 1 |
| 20 | 6670520 | 螺帽 Nut ----- | 5 |
| 21 | 6670521 | 導線臂 Thread Guide ----- | 5 |
| 22 | 6670522 | 線盤座 Spool Set Bracket ----- | 1 |
| 23 | 6670523 | 夾板 Clamp ----- | 1 |
| 24 | 6670524 | 螺絲 Screw ----- | 4 |
| 25 | 6670525 | 彈簧墊圈 Spring Washer ----- | 4 |
| 26 | 6670526 | 螺帽 Nut ----- | 4 |
| 27 | 6670527 | 撐桿 Support Rod ----- | 4 |
| 28 | 6670528 | 螺絲 Screw ----- | 1 |
| 29 | 6670529 | 螺帽 Nut ----- | 1 |
| 30 | 6670530 | 木螺絲 Wood Screw ----- | 1 |
| 31 | 6670531 | 導線 Thread Guide ----- | 1 |

15. 裝載附件 Supporting Board

上載式



半沉式

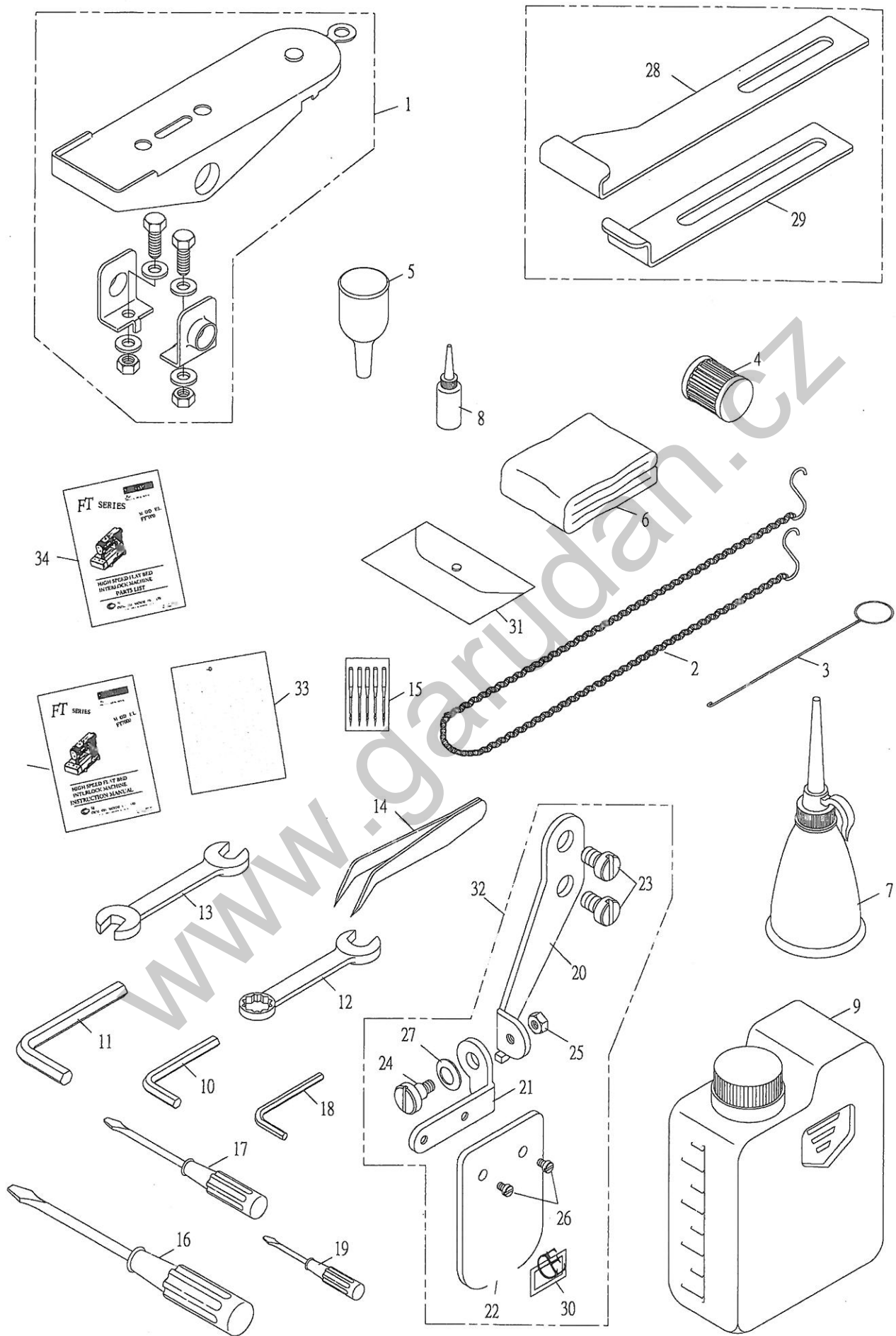


15.裝載附件 Table Components

| 序號 | 物料編號 | 名稱 | 單位用量 |
|----------|--------------|--------------------------------------|-----------|
| Ref. No. | Parts Number | Description | Amt. Req. |
| 1 | 2200001501 | 皮帶蓋 Belt Cover ----- | 1 |
| 2 | 8MB06404609S | 螺絲 Screw (CT1502 M6-1*46) ----- | 2 |
| 3 | 66945 | 減震橡膠 Rubber Cushion ----- | 4 |
| 4 | 8SA79180613A | 螺帽 Nut (CT1514 5/16"-18*6) ----- | 12 |
| 5 | 2210001505 | 隔環 Spacer ----- | 8 |
| 6 | 66812-2 | 全沉式車板 Table ----- | 1 |
| 7 | 2210001507 | 車頭承板 Supporting Board ----- | 2 |
| 8 | 8MB06401012M | 螺椿 Bolt (FT1508 M6-1*10) ----- | 4 |
| 9 | 8SC79189627B | 懸吊螺椿 Bolt (FT1509 5/16"-18*96) ----- | 4 |
| 10 | 2200001510 | 墊圈 Washer ----- | 12 |
| 11 | 2200001511 | 橡膠環 Rubber Washer ----- | 4 |
| 12 | 66812-1 | 車板 Table ----- | 1 |
| 13 | 2200001504 | 墊圈 Washer ----- | 20 |
| 14 | 90SW050 | 彈簧墊圈 Spring Wahsher ----- | 4 |
| 15 | 8MA06400612A | 螺帽 Nut (SH0242 M6-1*6) ----- | 4 |
| 16 | 8MB06406507B | 螺椿 Bolt (CT1507 M6-1*65) ----- | 4 |
| 17 | 2210001608 | 螺椿 Bolt ----- | 4 |
| 18 | 8MA08500613A | 螺帽 Nut (RP0208 M8-1.25) ----- | 12 |

www.garudan.cz

16.工具及附件 Accessories

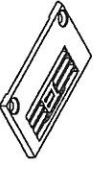


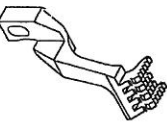

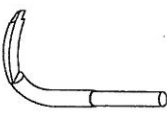


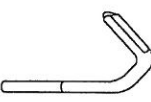



工具及附件 Accessories

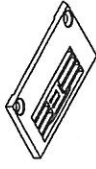
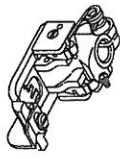
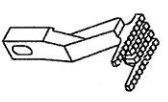
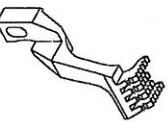
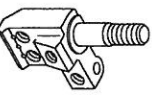
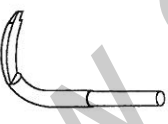


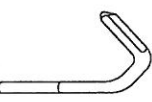
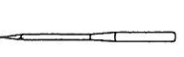
| 號 | 物料編號 | 名稱 | 單位用量 |
|--------|-----------------|--------------------------------------|-----------|
| f. No. | Parts Number | Description | Amt. Req. |
| | 66700 | 踏板組 Pedel Complete ----- | 1 |
| | 66695 | 鍊條組 Chain Set ----- | 1 |
| | 66840 | 穿線鋼絲 Threading Bar ----- | 1 |
| | 2100001521 | 過濾器 Oil Filter ----- | 1 |
| 1 | 66720 | 漏斗 Oil Funnel ----- | 1 |
| 5 | 66846 | 防塵罩 Mechine Cover ----- | 1 |
| 7 | 66721 | 油壺 Oiler ----- | 1 |
| 8 | 66722 | 矽油 Silicon Oil ----- | 1 |
| 9 | 66715 | 油罐 Oil Container ----- | 1 |
| 10 | 66636 | 六角扳手 Spanner 3MM ----- | 1 |
| 11 | 66637 | 六角扳手 Spanner 4MM ----- | 1 |
| 12 | 66612 | 梅花扳手 Wrench 10MM ----- | 1 |
| 13 | 66613 | 開口扳手 Wrench 7/8MM ----- | 1 |
| 14 | 66690 | 鑷子 Tweezer ----- | 1 |
| 15 | 66725-11 | 備用針 Retainer Needle ----- | 1 |
| 16 | 66665 | 長起子 Screw Driver (Large) ----- | 5 |
| 17 | 66666 | 中起子 Screw Driver (Medium) ----- | 1 |
| 18 | 66639 | 六角板手 Spanner 1.5MM ----- | 1 |
| 19 | 66667 | 小起子 Screw Driver (Small) ----- | 1 |
| 20 | 2200001620 | 護目鏡座 Safety Plate Support ----- | 1 |
| 21 | 2200001621 | 護目鏡架 Safety Plate Holder ----- | 1 |
| 22 | 2200001622 | 護目鏡 Safety Plate ----- | 1 |
| 23 | 8MC06401008E | 螺絲 Screw (CT0832 M6-1*9.5) ----- | 1 |
| 24 | 8SB36400810E | 螺絲 Screw (CT1624 9/64"-40*7.7) ----- | 2 |
| 25 | 8SA36400406A | 螺帽 Nut (CT1625 9/64"-40*4) ----- | 1 |
| 26 | 8MB03200405A | 螺絲 Screw (FT0548 M3-0.5*4) ----- | 1 |
| 27 | 2200000228 | 墊圈 Washer ----- | 2 |
| 28 | 66857 | 左導模 Fabric Guide (L) ----- | 1 |
| 29 | 66858 | 右導模 Fabric Guide (R) ----- | 1 |
| 30 | 66451 | 貼紙 Paster ----- | 1 |
| 31 | 66831 | 工具袋 Tools Bag ----- | 1 |
| 32 | 220A0001632 | 護目鏡組 Safety Plate Asm. ----- | 1 |
| 33 | 66200 | 保證書 Guarautee ----- | 1 |
| 34 | FT6301-1G-06-10 | 零件冊 Parts List ----- | 1 |
| 35 | FT6201-8-06-10 | 使用說明書 Instruction Manual ----- | 1 |

FT7000 GAUGE PARTS LIST

FT7000-0-0 □□□□M
 FT7000-0-□□□□M

| Main Parts 更換 零件 機 型 針 距 Models | Throat plate 針板  | Presser foot asm 壓腳  | Main feed dog 主送布齒  | Diff feed dog 副送布齒  | Needle clamp 針留  | Upper looper 上結線勾  | Lower looper 下結線勾  | Needle guide 前導針  | Needle guide 後導針  | Needle 針  |
|--|---|---|--|---|---|---|---|--|--|--|
| | | | | | | | | | | |
| FT7000 | 5222TF00401 | 5220PF00404 | 5221FD00564 | 5221DF00563 | 5220NC00400 | 5220SL00560 | 5221LL00561 | 5221NG00561 | 5221NG00562 | UY128GAS # 11 |
| | 5220TF00484 | 5220PF00484 | 5221FD00564 | 5221DF00563 | 5220NC00480 | 5220SL00560 | 5221LL00561 | 5221NG00561 | 5221NG00562 | |
| | 5220TF00564 | 5220PF00564 | 5221FD00564 | 5221DF00563 | 5220NC00561 | 5220SL00560 | 5221LL00561 | 5221NG00561 | 5221NG00562 | |
| | 5220TF00642 | 5220PF00644 | 5221FD00644 | 5221DF00643 | 5220NC00641 | 5220SL00560 | 5221LL00561 | 5221NG00561 | 5221NG00562 | |

FT7000-0-0 □□□□H
 FT7000-0-□□□□H

| Main Parts 更換 零件 機 型 針 距 Models | Throat plate 針板  | Presser foot asm 壓腳  | Main feed dog 主送布齒  | Diff feed dog 副送布齒  | Needle clamp 針留  | Upper looper 上結線勾  | Lower looper 下結線勾  | Needle guide 前導針  | Needle guide 後導針  | Needle 針  |
|--|---|---|--|---|---|---|---|--|--|--|
| | | | | | | | | | | |
| FT7000 | 5222TF00400 | 5220PF00404 | 5221FD00564 | 5221DF00563 | 5220NC00400 | 5220SL00560 | 5221LL00561 | 5221NG00561 | 5221NG00562 | UY128GAS # 14 |
| | 5222TF00480 | 5220PF00484 | 5221FD00564 | 5221DF00563 | 5220NC00480 | 5220SL00560 | 5221LL00561 | 5221NG00561 | 5221NG00562 | |
| | 5220TF00566 | 5220PF00564 | 5221FD00564 | 5221DF00563 | 5220NC00561 | 5220SL00560 | 5221LL00561 | 5221NG00561 | 5221NG00562 | |
| | 5220TF00644 | 5220PF00644 | 5221FD00644 | 5221DF00643 | 5220NC00641 | 5220SL00560 | 5221LL00561 | 5221NG00561 | 5221NG00562 | |

FT7000 GAUGE PARTS LIST

FT7000-0-0 □□□□ L
 FT7000-0-□□□□ L

| Main Parts 更換零件 | Throat plate 針板 | Presser foot asm 壓腳 | Main feed dog 主送布齒 | Diff feed dog 副送布齒 | Needle clamp 針留 | Upper looper 上結線勾 | Lower looper 下結線勾 | Needle guide 前導針 | Needle guide 後導針 | Needle 針 | 機型距 | |
|--------------------|--------------------|------------------------|---------------------------|----------------------------|----------------------------|----------------------------|----------------------------|----------------------------|----------------------------|------------------|--------|--------|
| | | | | | | | | | | | Models | Models |
| FT7000 | 5.6 | 5220PF00564 | 5221FD00564 5221DG0021 | 5221DF00563 5221DF00643 | 5220NC00561 5220NC00641 | 5220SL00560 5220SL00560 | 5221LL00561 5221LL00561 | 5221NG00561 5221NG00561 | 5221NG00562 5221NG00562 | UY128GAS # 11 | | |
| | 6.4 | 5220PF00644 | 5221FD00644 5221DG0022 | 5221DF00643 | 5220NC00641 | 5220SL00560 | 5221LL00561 | 5221NG00561 | 5221NG00562 | | | |

FT7000-0-0 □□□□ S
 FT7000-0-□□□□ S

| Main Parts 更換零件 | Throat plate 針板 | Presser foot asm 壓腳 | Main feed dog 主送布齒 | Diff feed dog 副送布齒 | Needle clamp 針留 | Upper looper 上結線勾 | Lower looper 下結線勾 | Needle guide 前導針 | Needle guide 後導針 | Needle 針 | 機型距 | |
|--------------------|--------------------|------------------------|---------------------------|----------------------------|----------------------------|----------------------------|----------------------------|----------------------------|----------------------------|------------------|--------|--------|
| | | | | | | | | | | | Models | Models |
| FT7000 | 4.0 | 5220PF00404 | 5221FD00564 5221DG0021 | 5221DF00563 5221DF00643 | 5220NC00400 5220NC00480 | 5220SL00560 5220SL00560 | 5221LL00561 5221LL00561 | 5221NG00561 5221NG00561 | 5221NG00562 5221NG00562 | UY128GAS # 11 | | |
| | 4.8 | 5220PF00484 | 5221FD00564 5221DG0021 | 5221DF00563 | 5220NC00480 | 5220SL00560 | 5221LL00561 | 5221NG00561 | 5221NG00562 | | | |
| FT7000 | 5.6 | 5220PF00564 | 5221FD00564 5221DG0021 | 5221DF00563 5221DF00643 | 5220NC00561 5220NC00641 | 5220SL00560 5220SL00560 | 5221LL00561 5221LL00561 | 5221NG00561 5221NG00561 | 5221NG00562 5221NG00562 | UY128GAS # 11 | | |
| | 6.4 | 5220PF00644 | 5221FD00644 5221DG0022 | 5221DF00643 | 5220NC00641 | 5220SL00560 | 5221LL00561 | 5221NG00561 | 5221NG00562 | | | |

FT7000 GAUGE PARTS LIST

FT7000-0-□□□□M/KI

| Main Parts 更換 零件 機 型 針 距 Models | | Main Parts 更換 零件 機 型 針 距 Models | | Main Parts 更換 零件 機 型 針 距 Models | | Main Parts 更換 零件 機 型 針 距 Models | | Main Parts 更換 零件 機 型 針 距 Models | | Main Parts 更換 零件 機 型 針 距 Models | | Main Parts 更換 零件 機 型 針 距 Models | | Main Parts 更換 零件 機 型 針 距 Models | | Main Parts 更換 零件 機 型 針 距 Models | | Main Parts 更換 零件 機 型 針 距 Models | | | |
|--|-----|--|-------------|--|-------------|--|-------------|--|-------------|--|------------------|--|-------------|--|-------------|--|-------------|--|-------------|-------------|------------------|
| FT7000 | 5.6 | 5222TP00569 | 5220PF00564 | 5221FD00564 | 5221DR00563 | 5220NC00561 | 5220SL00560 | 5221LL00561 | 5221NG00561 | 5221NG00562 | UY128GAS # 11 | 5222TP00647 | 5220PF00644 | 5221FD00644 | 5221DR00643 | 5220NC00641 | 5220SL00560 | 5221LL00561 | 5221NG00561 | 5221NG00562 | UY128GAS # 11 |
| | | | | | | | | | | | | | | | | | | | | | |

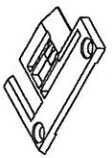

*OPTON-MAKE TO ORDER

FT7003-0-0□□□□M
FT7003-0-□□□□M

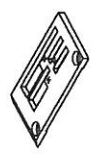

| | | | | | | | | | | | | | | | | | | | | |
|-----|-------------|-------------|-------------|-------------|-------------|-------------|-------------|-------------|-------------|------------------|--------------------|------------------------|-----------------------|-----------------------|--------------------|----------------------|----------------------|---------------------|---------------------|-------------|
| 4.0 | 5222TP03400 | 5222PF03400 | 5223FD03560 | 5221DR03563 | 5220NC00400 | 5220SL00560 | 5221LL00561 | 5221NG00561 | 5221NG00562 | UY128GAS # 11 | Throat plate 針板 | Presser foot asm 壓腳 | Main feed dog 主送布齒 | Diff feed dog 副送布齒 | Needle clamp 針留 | Upper looper 上結線勾 | Lower looper 下結線勾 | Needle guide 前導針 | Needle guide 後導針 | Needle 針 |
| | | | | | | | | | | | | | | | | | | | | |
| 4.8 | 5222TP03480 | 5222PF03480 | 5223FD03560 | 5221DR03563 | 5220NC00480 | 5220SL00560 | 5221LL00561 | 5221NG00561 | 5221NG00562 | UY128GAS # 11 | Throat plate 針板 | Presser foot asm 壓腳 | Main feed dog 主送布齒 | Diff feed dog 副送布齒 | Needle clamp 針留 | Upper looper 上結線勾 | Lower looper 下結線勾 | Needle guide 前導針 | Needle guide 後導針 | Needle 針 |
| | | | | | | | | | | | | | | | | | | | | |
| 5.6 | 5222TP03560 | 5222PF03560 | 5223FD03560 | 5221DR03563 | 5220NC00561 | 5220SL00560 | 5221LL00561 | 5221NG00561 | 5221NG00562 | UY128GAS # 11 | Throat plate 針板 | Presser foot asm 壓腳 | Main feed dog 主送布齒 | Diff feed dog 副送布齒 | Needle clamp 針留 | Upper looper 上結線勾 | Lower looper 下結線勾 | Needle guide 前導針 | Needle guide 後導針 | Needle 針 |
| | | | | | | | | | | | | | | | | | | | | |
| 6.4 | 5222TP03640 | 5222PF03640 | 5223FD03560 | 5221DR03563 | 5220NC00641 | 5220SL00560 | 5221LL00561 | 5221NG00561 | 5221NG00562 | UY128GAS # 11 | Throat plate 針板 | Presser foot asm 壓腳 | Main feed dog 主送布齒 | Diff feed dog 副送布齒 | Needle clamp 針留 | Upper looper 上結線勾 | Lower looper 下結線勾 | Needle guide 前導針 | Needle guide 後導針 | Needle 針 |
| | | | | | | | | | | | | | | | | | | | | |

FT7000 GAUGE PARTS LIST

FT7003-0-□□□M/TC003




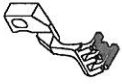
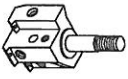
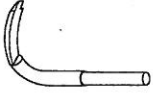


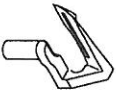


| | | | | | | | | | | | | |
|--|---|------------------------|---------------------------|-----------------------|--------------------|----------------------|----------------------|---------------------|---------------------|---|-------------|------------------|
| Main Parts 更換零件 機型 針距 Models |  | Presser foot asm 壓腳 | Main feed dog 主送布齒 | Diff feed dog 副送布齒 | Needle clamp 針留 | Upper looper 上結線勾 | Lower looper 下結線勾 | Needle guide 前導針 | Needle guide 後導針 |  | 5.6 | UY128GAS # 11 |
| | | | | | | | | | | | 5221TP03562 | 5221PF03561 |
| 6.4 | 5221TP03642 | 5221PF03641 | 5221FD03565 5221DC0014 | 5221DF03563 | 5220NC00641 | 5220SL00560 | 5221LL00561 | 5221NG00561 | 5221NG00561 | | | |

FT7010-0-388M

| | | | | | | | | | | | | | |
|--|---|------------------------|-----------------------|-----------------------|--------------------|----------------------|------------------------------------|-------------------------------------|-----------------------------------|---------------------|---|-------------|-----------------|
| Main Parts 更換零件 機型 針距 Models |  | Presser foot asm 壓腳 | Main feed dog 主送布齒 | Diff feed dog 副送布齒 | Needle clamp 針留 | Upper looper 上結線? | Lower looper (Right) 下結線勾(右) | Lower looper (Medium) 下結線勾(中) | Lower looper (Left) 下結線勾(左) | Needle guide 後導針 |  | 8.8 | UY128GAS #11 |
| | | | | | | | | | | | | 5221TP10880 | 5221PF10880 |

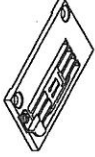
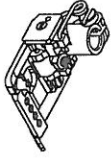
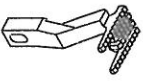
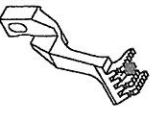

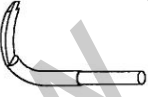
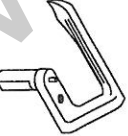

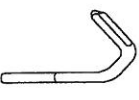

FT7000 GAUGE PARTS LIST

FT7010-0-388M/KI

| Main Parts 更換 零件 機型 針距 Models |  |  |  |  |  |  |  |  |  |  |  |
|--|---|---|---|---|---|---|---|---|---|---|---|
| | | | | | | | | | | | |
| 8.8 | 5221TP10881 | 5221PF10880 | 5221HD10880 | 5221DF10880 | 5221NC10880 | 5221SL10560 | 5221LL02641 | 5221LL02640 | 5221LL10880 | 5221NG10880 | UY128GAS #11 |
| | | | 5221DG0007 | | | | | | | | |

*OPTION-MAKE TO ORDER

FT7011-0-0 □□□□ M
FT7011-0-□□□□ M

| Main Parts 更換 零件 機型 針距 Models |  |  |  |  |  |  |  |  |  |  |
|--|---|---|---|--|---|---|---|---|---|---|
| | | | | | | | | | | |
| 4.0 | 5222TP11400 | 5222PF11400 | 5221HD0054 | 5221DF11560 | 5220NC00400 | 5220SL00560 | 5221LL00561 | 5221NG00561 | 5221NG00562 | UY128GAS # 11 |
| 4.8 | 5222TP11480 | 5222PF11480 | 5221HD0054 | 5221DF11560 | 5220NC00480 | 5220SL00560 | 5221LL00561 | 5221NG00561 | 5221NG00562 | |
| 5.6 | 5222TP11560 | 5222PF11560 | 5221HD0054 | 5221DF11560 | 5220NC00561 | 5220SL00560 | 5221LL00561 | 5221NG00561 | 5221NG00562 | |
| 6.4 | 5222TP11640 | 5222PF11640 | 5221HD0054 | 5221DF11640 | 5220NC00641 | 5220SL00560 | 5221LL00561 | 5221NG00561 | 5221NG00562 | |
| | | | 5221DG0023 | 5221DF11560 | | | | | | |
| | | | 5221DG0023 | 5221DF11560 | | | | | | |
| | | | 5221DG0024 | 5221DF11640 | | | | | | |

FT7000 GAUGE PARTS LIST

FT7013-0-□□□M

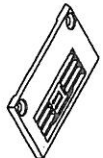


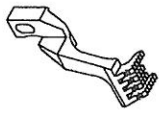

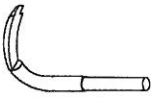


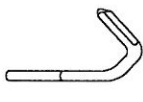

| Main Parts 更換零件 | 機型 針距 Models | Throat plate 針板 | Presser foot asm 壓腳 | Main feed dog 主送布齒 | Diff feed dog 副送布齒 | Needle clamp 針留 | Upper looper 上結線勾 | Lower looper 下結線勾 | Needle guide 前導針 | Needle guide 後導針 | Needle 針 |
|--------------------|--------------------|--------------------|------------------------|---------------------------|-----------------------|--------------------|----------------------|----------------------|---------------------|---------------------|------------------|
| | | | | | | | | | | | |
| | 4.0 | 5222TP13400 | 5220PF00404 | 5221FD00564 5221DG0021 | 5221DF00563 | 5220NC00400 | 5220SL00560 | 5221LL00561 | 5221NG00561 | 5221NG00562 | UY128GAS # 11 |
| | 4.8 | 5222TP13480 | 5220PF00484 | 5221FD00564 5221DG0021 | 5221DF00563 | 5220NC00480 | 5220SL00560 | 5221LL00561 | 5221NG00561 | 5221NG00562 | |
| | 5.6 | 5222TP13560 | 5220PF00564 | 5221FD00564 5221DG0021 | 5221DF00563 | 5220NC00561 | 5220SL00560 | 5221LL00561 | 5221NG00561 | 5221NG00562 | |
| | 6.4 | 5222TP13640 | 5220PF00644 | 5221FD00644 5221DG0022 | 5221DF00643 | 5220NC00641 | 5220SL00560 | 5221LL00561 | 5221NG00561 | 5221NG00562 | |

FT7013-1-□□□H


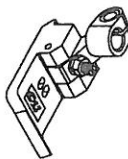
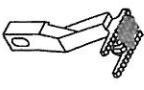
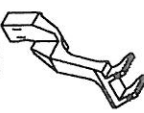
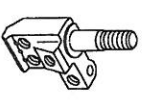
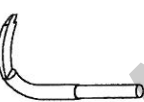


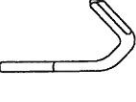

| Main Parts 更換零件 | 機型 針距 Models | Throat plate 針板 | Presser foot asm 壓腳 | Main feed dog 主送布齒 | Diff feed dog 副送布齒 | Needle clamp 針留 | Upper looper 上結線勾 | Lower looper 下結線勾 | Needle guide 前導針 | Needle guide 後導針 | Needle 針 |
|--------------------|--------------------|--------------------|------------------------|---------------------------|-----------------------|--------------------|----------------------|----------------------|---------------------|---------------------|------------------|
| | | | | | | | | | | | |
| | 4.0 | 5222TP13401 | 5220PF00404 | 5221FD00564 5221DG0025 | 5221DF13560 | 5220NC00400 | 5220SL00560 | 5221LL00561 | 5221NG00561 | 5221NG00562 | UY128GAS # 14 |
| | 4.8 | 5222TP13481 | 5220PF00484 | 5221FD00564 5221DG0025 | 5221DF13560 | 5220NC00480 | 5220SL00560 | 5221LL00561 | 5221NG00561 | 5221NG00562 | |
| | 5.6 | 5222TP13561 | 5220PF00564 | 5221FD00564 5221DG0025 | 5221DF13560 | 5220NC00561 | 5220SL00560 | 5221LL00561 | 5221NG00561 | 5221NG00562 | |
| | 6.4 | 5222TP13641 | 5220PF00644 | 5221FD00644 5221DG0026 | 5221DF13640 | 5220NC00641 | 5220SL00560 | 5221LL00561 | 5221NG00561 | 5221NG00562 | |

FT7013-2-□□□H

FT7000 GAUGE PARTS LIST

| Main Parts 更換 零件 機 型 針 距 Models |  |  |  |  |  |  |  |  |  |  |
|--|---|---|---|--|---|---|---|---|---|---|
| | | | | | | | | | | |
| 4.0 | 5222TP00401 | 5220PF00404 | 5221FD00564 | 5221DF13560 | 5220NC00400 | 5220SL00560 | 5221LL00561 | 5221NG00561 | 5221NG00562 | UY128GAS # 14 |
| 4.8 | 5220TP00484 | 5220PF00484 | 5221FD00564 | 5221DF13560 | 5220NC00480 | 5220SL00560 | 5221LL00561 | 5221NG00561 | 5221NG00562 | |
| | | | 5221DG0021 | 5221DF13560 | | | | | | |
| | | | 5221FD00564 | 5221DF13560 | | | | | | |
| 5.6 | 5220TP00564 | 5220PF00564 | 5221DG0021 | 5221DF13560 | 5220NC00561 | 5220SL00560 | 5221LL00561 | 5221NG00561 | UY128GAS # 14 | |
| 6.4 | 5220TP00642 | 5220PF00644 | 5221FD00644 | 5221DF13560 | 5220NC00641 | 5220SL00560 | 5221LL00561 | 5221NG00561 | | |

FT7015-0-0232M

| Main Parts 更換 零件 機 型 針 距 Models |  |  |  |  |  |  |  |  |  |  |
|--|---|---|---|--|---|---|---|---|---|---|
| | | | | | | | | | | |
| 3.2 | 5221TP15320 | 5221PF15320 | 5221FD00564 | 5221DF15320 | 5220NC00400 | 5220SL00560 | 5221LL00561 | 5221NG00561 | 5221NG00562 | UY128GAS # 11 |

FT7000 GAUGE PARTS LIST

FT7039-0-□□□M

| Main Parts 更換零件 | 機型 針距 Models | Throat plate 針板 | Presser foot asm 壓腳 | Main feed dog 主送布齒 | Diff feed dog 副送布齒 | Needle clamp 針留 | Upper looper 上結線勾 | Lower looper 下結線勾 | Needle guide 前導針 | Needle guide 後導針 | Needle 針 |
|--------------------|--------------------|--------------------|------------------------|-----------------------|-----------------------|--------------------|----------------------|----------------------|---------------------|---------------------|------------------|
| | | | | | | | | | | | |
| | 4.0 | 5221TP39401 | 5221PF09404 | 5221FD39560 | 5221DG0012 | 5221DC00400 | 5220SL00560 | 5221LL00561 | 5221NG00561 | 5221NG00562 | UY128GAS # 11 |
| | 4.8 | 5221TP39481 | 5221PF09484 | 5221FD39560 | 5221DG0012 | 5220NC00480 | 5220SL00560 | 5221LL00561 | 5221NG00561 | 5221NG00562 | |
| | 5.6 | 5221TP39561 | 5221PF09564 | 5221FD39560 | 5221DG0012 | 5220NC00561 | 5220SL00560 | 5221LL00561 | 5221NG00561 | 5221NG00562 | |
| | 6.4 | 5221TP39641 | 5221PF09644 | 5221FD39560 | 5221DG0012 | 5220NC00641 | 5220SL00560 | 5221LL00561 | 5221NG00561 | 5221NG00562 | |



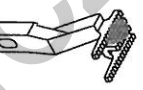

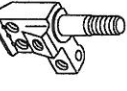
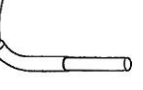


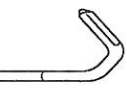





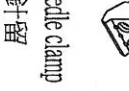
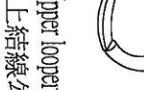
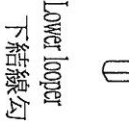

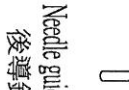
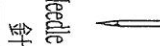
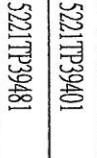
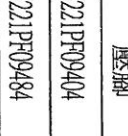
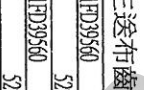

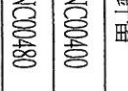

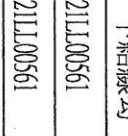
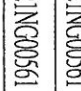


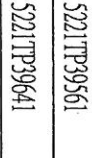
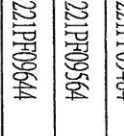
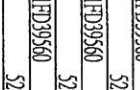


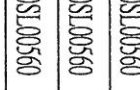
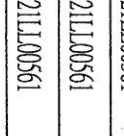
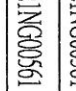

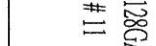
FT7039-1-□□□M

| Main Parts 更換零件 | 機型 針距 Models | Throat plate 針板 | Presser foot asm 壓腳 | Main feed dog 主送布齒 | Diff feed dog 副送布齒 | Needle clamp 針留 | Upper looper 上結線勾 | Lower looper 下結線勾 | Needle guide 前導針 | Needle guide 後導針 | Needle 針 |
|--------------------|--------------------|--------------------|------------------------|-----------------------|-----------------------|--------------------|----------------------|----------------------|---------------------|---------------------|------------------|
| | | | | | | | | | | | |
| | 5.6 | 5220TP00564 | 5221PF39561 | 5221FD00564 | 5221DG0021 | 5220NC00561 | 5220SL00560 | 5221LL00561 | 5221NG00561 | 5221NG00562 | UY128GAS # 11 |
| | 6.4 | 5220TP00642 | 5221PF39640 | 5221FD00644 | 5221DG0022 | 5220NC00641 | 5220SL00560 | 5221LL00561 | 5221NG00561 | 5221NG00562 | |


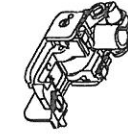



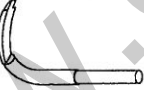


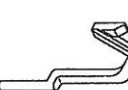



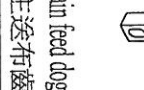
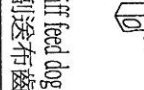
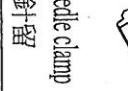
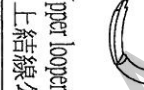
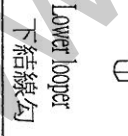
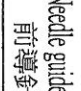
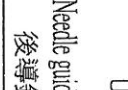

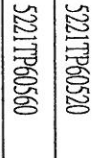
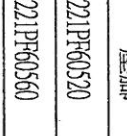
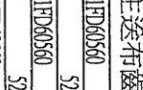
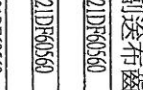

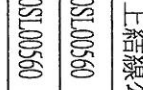





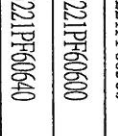
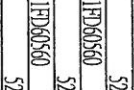
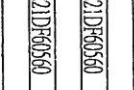

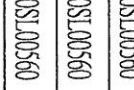
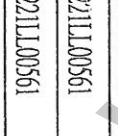
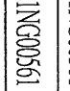

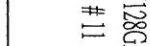
*OPTION-MAKE TO ORDER

FT7000 GAUGE PARTS LIST

FT7039-2-□□□□M

| Main Parts 更換 零件 | 機 型 針 距 | Main Parts | | | | | | | | | | Needle 針 | | | | | | | | | |
|------------------------|------------------|---|---|---|---|---|---|---|---|---|---|------------------|-------------|-------------|-------------|-------------|-------------|-------------|-------------|-------------|-------------|
| | | Throat plate 針板 | Presser foot asm 壓腳 | Main feed dog 主送布齒 | Diff feed dog 副送布齒 | Needle clamp 針留 | Upper looper 上結線勾 | Lower looper 下結線勾 | Needle guide 前導針 | Needle guide 後導針 | Needle 針 | | | | | | | | | | |
| | 4.0 |  |  |  |  |  |  |  |  |  |  | UY128GAS # 11 | | | | | | | | | |
| | | | | | | | | | | | | | 5221TP39401 | 5221PF09404 | 5221FD39560 | 5221DF09560 | 5220NC00400 | 5220SL00560 | 5221LL00561 | 5221NG00561 | 5221NG00562 |
| | | | | | | | | | | | | | 5221D39560 | 5221D39560 | 5221D39560 | 5221D39560 | 5221D39560 | 5221D39560 | 5221D39560 | 5221D39560 | 5221D39560 |
| | 4.8 |  |  |  |  |  |  |  |  |  |  | UY128GAS # 11 | | | | | | | | | |
| | | | | | | | | | | | | | 5221TP39481 | 5221PF09484 | 5221FD39560 | 5221DF09560 | 5220NC00480 | 5220SL00560 | 5221LL00561 | 5221NG00561 | 5221NG00562 |
| | | | | | | | | | | | | | 5221D39560 | 5221D39560 | 5221D39560 | 5221D39560 | 5221D39560 | 5221D39560 | 5221D39560 | 5221D39560 | 5221D39560 |
| | 5.6 |  |  |  |  |  |  |  |  |  |  | UY128GAS # 11 | | | | | | | | | |
| | | | | | | | | | | | | | 5221TP39561 | 5221PF09564 | 5221FD39560 | 5221DF09560 | 5220NC00561 | 5220SL00560 | 5221LL00561 | 5221NG00561 | 5221NG00562 |
| | | | | | | | | | | | | | 5221D39560 | 5221D39560 | 5221D39560 | 5221D39560 | 5221D39560 | 5221D39560 | 5221D39560 | 5221D39560 | 5221D39560 |
| | 6.4 |  |  |  |  |  |  |  |  |  |  | UY128GAS # 11 | | | | | | | | | |
| | | | | | | | | | | | | | 5221TP39641 | 5221PF09644 | 5221FD39560 | 5221DF09560 | 5220NC00641 | 5220SL00560 | 5221LL00561 | 5221NG00561 | 5221NG00562 |
| | | | | | | | | | | | | | 5221D39560 | 5221D39560 | 5221D39560 | 5221D39560 | 5221D39560 | 5221D39560 | 5221D39560 | 5221D39560 | 5221D39560 |

FT7060-0-□□□□M

| Main Parts 更換 零件 | 機 型 針 距 | Main Parts | | | | | | | | | | Needle 針 | | | | | | | | | |
|------------------------|------------------|---|---|---|---|---|---|---|---|---|---|------------------|-------------|-------------|-------------|-------------|-------------|-------------|-------------|-------------|-------------|
| | | Throat plate 針板 | Presser foot asm 壓腳 | Main feed dog 主送布齒 | Diff feed dog 副送布齒 | Needle clamp 針留 | Upper looper 上結線勾 | Lower looper 下結線勾 | Needle guide 前導針 | Needle guide 後導針 | Needle 針 | | | | | | | | | | |
| | 5.2 |  |  |  |  |  |  |  |  |  |  | UY128GAS # 11 | | | | | | | | | |
| | | | | | | | | | | | | | 5221TP60520 | 5221PF60520 | 5221FD60560 | 5221DF60560 | 5221NC60520 | 5220SL00560 | 5221LL00561 | 5221NG00561 | 5221NG60560 |
| | | | | | | | | | | | | | 5221D60560 | 5221D60560 | 5221D60560 | 5221D60560 | 5221D60560 | 5221D60560 | 5221D60560 | 5221D60560 | 5221D60560 |
| | 5.6 |  |  |  |  |  |  |  |  |  |  | UY128GAS # 11 | | | | | | | | | |
| | | | | | | | | | | | | | 5221TP60560 | 5221PF60560 | 5221FD60560 | 5221DF60560 | 5221NC60560 | 5220SL00560 | 5221LL00561 | 5221NG00561 | 5221NG60560 |
| | | | | | | | | | | | | | 5221D60560 | 5221D60560 | 5221D60560 | 5221D60560 | 5221D60560 | 5221D60560 | 5221D60560 | 5221D60560 | 5221D60560 |
| | 6.0 |  |  |  |  |  |  |  |  |  |  | UY128GAS # 11 | | | | | | | | | |
| | | | | | | | | | | | | | 5221TP60600 | 5221PF60600 | 5221FD60560 | 5221DF60560 | 5221NC60600 | 5220SL00560 | 5221LL00561 | 5221NG00561 | 5221NG60560 |
| | | | | | | | | | | | | | 5221D60560 | 5221D60560 | 5221D60560 | 5221D60560 | 5221D60560 | 5221D60560 | 5221D60560 | 5221D60560 | 5221D60560 |
| | 6.4 |  |  |  |  |  |  |  |  |  |  | UY128GAS # 11 | | | | | | | | | |
| | | | | | | | | | | | | | 5221TP60640 | 5221PF60640 | 5221FD60560 | 5221DF60560 | 5221NC00640 | 5220SL00560 | 5221LL00561 | 5221NG00561 | 5221NG60560 |
| | | | | | | | | | | | | | 5221D60560 | 5221D60560 | 5221D60560 | 5221D60560 | 5221D60560 | 5221D60560 | 5221D60560 | 5221D60560 | 5221D60560 |

*OPTION-MAKE TO ORDER

FT7000 GAUGE PARTS LIST

FT7060-0-□□□M/KI

| Main Parts 更換零件 | Throat plate 針板 | Presser foot asm 壓腳 | Main feed dog 主送布齒 | Diff feed dog 副送布齒 | Needle clamp 針留 | Upper looper 上結線勾 | Lower looper 下結線勾 | Needle guide 前導針 | Needle guide 後導針 | Needle 針 |
|--------------------|--------------------|---------------------------|---------------------------|---------------------------|--------------------|----------------------|----------------------|---------------------|---------------------|-----------------|
| 機型 針距 Models | 5.2 | 5221PF60520 | 5221FD60560 5221DG0013 | 5221DF60560 | 5221NC60520 | 5220SL00560 | 5221LL00561 | 5221NG00561 | 5221NG00560 | UY18GKS # 10 |
| | 5.6 | 5221TP60560 | 5221FD60560 5221DG0013 | 5221DF60560 | 5221NC60560 | 5220SL00560 | 5221LL00561 | 5221NG00561 | 5221NG00560 | |
| | 6.0 | 5221TP60600 | 5221PF60600 | 5221FD60560 5221DG0013 | 5221DF60560 | 5221NC60600 | 5220SL00560 | 5221LL00561 | 5221NG00561 | |
| | 6.4 | 5221TP60640 | 5221PF60640 | 5221FD60560 5221DG0013 | 5221DF60560 | 5220NC00640 | 5220SL00560 | 5221LL00561 | 5221NG00561 | |


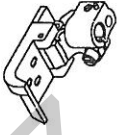

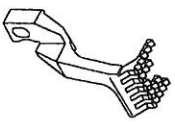
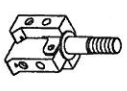



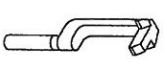

*OPTION-MAKE TO ORDER

FT5102-0-264M

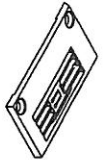

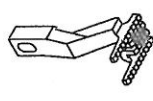
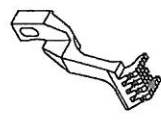

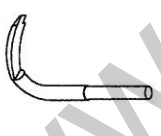


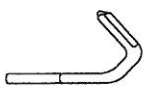

| Main Parts 更換零件 | Throat plate 針板 | Presser foot asm 壓腳 | Main feed dog 主送布齒 | Diff feed dog 副送布齒 | Needle clamp 針留 | Lower looper (Right) 下結線勾(右) | Lower looper (Left) 下結線勾(左) | Needle guide 後導針 | Needle 針 |
|--------------------|--------------------|------------------------|-----------------------|-----------------------|--------------------|------------------------------------|-----------------------------------|---------------------|--------------|
| 機型 針距 Models | 6.4 | 5221PF02640 | 5221FD02640 | 5221DF02640 | 5221NC02640 | 5221LL02641 | 5221LL02640 | 5221NG02640 | UY128GAS #11 |
| | | | | | | | | | |

FT7000 GAUGE PARTS LIST

FT5102-1-364M




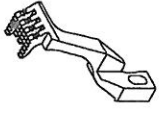

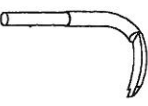


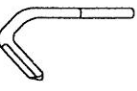

| Main Parts 更換 零件 針 型 機 Models | 64 |  |  |  |  |  |  |  |  |  |  |
|---|-------------|---|---|---|--|---|---|---|---|---|---|
| | | | | | | | | | | | |
| | 5221TP02641 | 5221PR02641 | 5221FD02641 | 5221DF02641 | 5221NC02641 | 5221LL02641 | 5221LL02642 | 5221LL02643 | 5221NG02641 | UY128GAS #11 | |

FT7200-0-0 □□□H
FT7200-0-□□□H

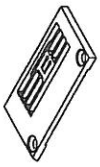

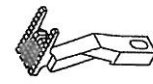

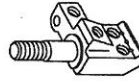



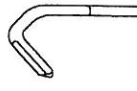

| Main Parts 更換 零件 針 型 機 Models | 5.6 6.4 |  |  |  |  |  |  |  |  |  |  |
|---|----------------------------|---|---|---|--|---|---|---|---|---|---|
| | | | | | | | | | | | |
| | 5220TP00567 5220TP00645 | 5220PR00563 5220PR00643 | 5221FD00566 5221FD00566 | 5221DF00561 5221DF00561 | 5220NC00561 5220NC00641 | 5220SL00560 5220SL00560 | 5221LL00561 5221LL00561 | 5221NG00561 5221NG00561 | 5221NG00562 5221NG00562 | UY128GAS #14 | |

FT7000 GAUGE PARTS LIST

FT7000-0-356M/UFP01/PA

| | | | | | | | | | | | | | | | | | | | | | | |
|--|---|---|--|--|---|--|---|--|--|--|-----|-------------|------------|------------|-----------|------------|------------|------------|-------------|-------------|-------------|--------------|
| Main Parts 更換零件 針距 機型 Models |  Throat plate 針板 |  Presser foot asm 壓腳 |  Main feed dog 主送布齒 |  Diff feed dog 副送布齒 |  Needle clamp 針留 |  Upper looper 上結線勾 |  Lower looper 下結線勾 |  Needle guide 前導針 |  Needle guide 後導針 |  Needle 針 | 5.6 | 522ITP00563 | 522QP00564 | 522FD00563 | 522DG0019 | 522DF00563 | 522NC00561 | 522SL00560 | 522ILL00561 | 522ING00561 | 522ING00562 | UY128GAS #11 |
| | | | | | | | | | | | | | | | | | | | | | | |

FT7000-0-02 M/TB

| | | | | | | | | | | | | | | | | | | | | | | |
|--|---|--|---|---|--|---|--|--|---|---|-----|------------|-------------|------------|-----------|------------|------------|------------|-------------|-------------|-------------|--------------|
| Main Parts 更換零件 針距 機型 Models |  Throat plate 針板 |  Presser foot asm 壓腳 |  Main feed dog 主送布齒 |  Diff feed dog 副送布齒 |  Needle clamp 針留 |  Upper looper 上結線勾 |  Lower looper 下結線勾 |  Needle guide 前導針 |  Needle guide 後導針 |  Needle 針 | 5.6 | 522TP00564 | 522PFTB0560 | 522FD00564 | 522DG0021 | 522DF00563 | 522NC00561 | 522SL00560 | 522ILL00561 | 522ING00561 | 522ING00562 | UY128GAS #11 |
| | | | | | | | | | | | 6.4 | 522TP00642 | 522PFTB0640 | 522FD00644 | 522DG0022 | 522DF00563 | 522NC00561 | 522SL00560 | 522ILL00561 | 522ING00561 | 522ING00562 | |

FT7000 GAUGE PARTS LIST

FT7000-0-02 M/TFB003

| Main Parts 更換零件 機型 Models | 針距 | | | | | | | | | | |
|------------------------------------|-------------|--------------|---------------------------|--------------|---------------------------|--------------|-------------|--------------|-------------|-------------|-------------|
| | | 5.6 | 5220TP00564 | 5221PFTB3560 | 5221HD00564 5221DG0021 | 5221DF00563 | 5220NC00561 | 5220SI.00560 | 5221LL00561 | 5221NG00561 | 5221NG00562 |
| 6.4 | 5220TP00642 | 5221PFTB3640 | 5221HD00644 5221DG0022 | 5221DF00563 | 5220NC00561 | 5220SI.00560 | 5221LL00561 | 5221NG00561 | 5221NG00562 | | |

